



**WEICHAI**

**DHP07Q0511**

**WP7 SERIES DIESEL PARTS CATALOGUE**

**WEICHAI POWER CO.,LTD.**

# PREFACE

This illustrated parts manual is specially prepared for customers to facilitate the use of WP7 series diesel engine in operation and tenance.

The illustrations are grouped under the heading of each assembly and numbered individually.Part.

No.,Quantity,Model,English designation,Chinese designation and so on are written in the parts list .  
The parts catalogue include detailed assembling parts list of diesel engine ,some parts can not be sold ,if you want to know selling part matters,please ask weichai power spare part resource CO.,LTD.

With the development of technology and production,the versions of the diesel engine will be increased, so the catalogue will be revised.Please pay attention to our revised edition.After service of this product is authorized to Weichai Power Co.,Ltd ,Consumers can acquire information of this product through [www.weichai.com](http://www.weichai.com).

# CONTENTS

<b>Engine Block Group .....</b>	<b>1</b>
crankcase assembly .....	3
Cylinder Block Preassembly .....	5
<b>Nozzle Set.....</b>	<b>7</b>
<b>Flywheel Housing Group.....</b>	<b>9</b>
.....	11
<b>Engine Block Reinforcing Plate Group.....</b>	<b>13</b>
<b>Crankshaft Group.....</b>	<b>15</b>
Crankshaft Assembly .....	17
Crankshaft Subassembly .....	19
<b>Main Bearing Set .....</b>	<b>21</b>
<b>Thrust Plate Group.....</b>	<b>23</b>
Thrust Plate Set .....	25
<b>Flywheel Group.....</b>	<b>27</b>
<b>Piston and Connecting Rod Group .....</b>	<b>29</b>
Piston Ring Set .....	31
Connecting Rod Assembly .....	33
<b>Cylinder Head Group .....</b>	<b>35</b>
Cylinder Head Assembly.....	37
Cylinder Head Subassembly .....	39
<b>Engine Hanger Plate Group.....</b>	<b>41</b>
<b>Cylinder head cover set .....</b>	<b>43</b>
Oil filling port cover assembly .....	45
<b>Valve Train Group .....</b>	<b>47</b>
Integrated Rocker Arm Shaft Assembly .....	49
Intake Rocker Arm Set .....	51
Exhaust Rocker Arm Set .....	53
Camshaft Assembly.....	55
<b>Gear Drive Group .....</b>	<b>57</b>
Idler Gear Assembly.....	59
Idler Gear Set.....	61

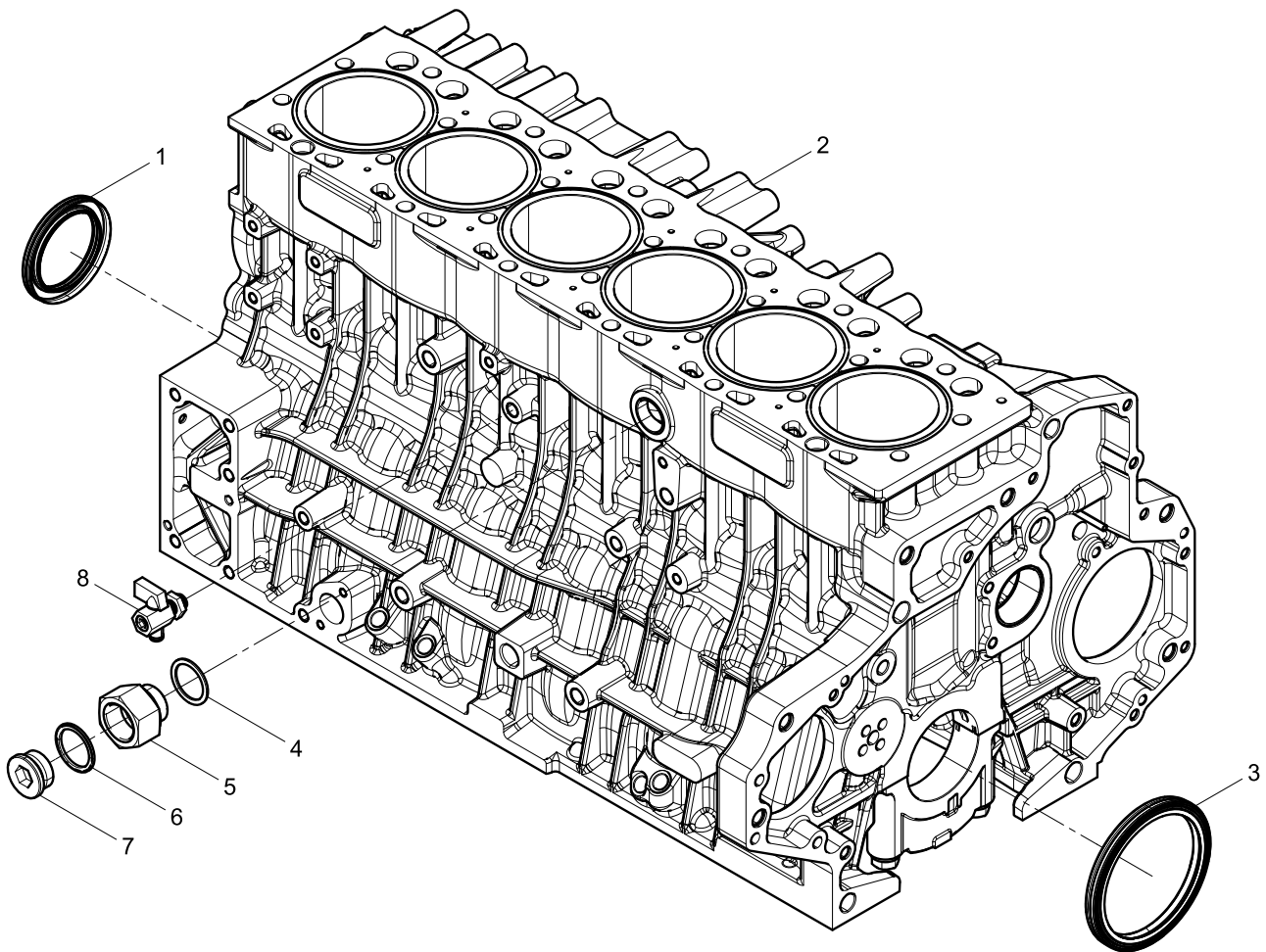
<b>Crankshaft Pulley Group .....</b>	<b>63</b>
<b>Oil Pan Group .....</b>	<b>65</b>
Oil Pan Assembly .....	67
<b>Dipstick Group .....</b>	<b>69</b>
Dipstick Assembly .....	71
<b>Oil Pump Group.....</b>	<b>73</b>
<b>Oil Strainer Group.....</b>	<b>75</b>
<b>Oil Cooler Group .....</b>	<b>77</b>
Oil Cooler Assembly .....	79
<b>Oil filter assembly .....</b>	<b>81</b>
<b>Oil Filling Tube Group .....</b>	<b>83</b>
<b>Oil-gas Separator Group.....</b>	<b>85</b>
<b>Water Pump Group .....</b>	<b>87</b>
<b>Water Outlet Pipe Group .....</b>	<b>89</b>
<b>Rotating Centrifugal Lubricating Oil Filter group .....</b>	<b>91</b>
<b>High Pressure Pump Group.....</b>	<b>93</b>
<b>Fuel Injector Group.....</b>	<b>95</b>
<b>Low Pressure Fuel Pipe Group.....</b>	<b>97</b>
<b>Fuel Filter Group .....</b>	<b>99</b>
Fuel Fine Filter .....	101
Fuel Coarse Filter .....	103
<b>High Pressure Fuel Pipe Group.....</b>	<b>105</b>
High-pressure Fuel Pipe Assembly .....	107
<b>Common Rail Group .....</b>	<b>109</b>
<b>Intake Manifold Group .....</b>	<b>111</b>
Intake Manifold Assembly .....	113
<b>Turbocharger Group .....</b>	<b>115</b>
<b>Turbocharger Oil Pipe Group .....</b>	<b>117</b>
<b>Compressor Pipe Group.....</b>	<b>119</b>
<b>Exhaust Manifold Group .....</b>	<b>121</b>



<b>Air Compressor Group</b> .....	<b>123</b>
Air Compressor Assembly .....	125
<b>Hydraulic Pump Group</b> .....	<b>127</b>
<b>Tensioner And Belt Group</b> .....	<b>129</b>
<b>Starter Assembly</b> .....	<b>131</b>
<b>Engine Bracket Group</b> .....	<b>133</b>
<b>Separate Delivery Parts Group Attached to Engine</b> .....	<b>135</b>
Integrated Urea Tank Assembly .....	137
Urea Tank Assembly .....	139
SCR Box Assembly .....	141
<b>Parts Box Group</b> .....	<b>143</b>
Fuel System Protector .....	145
Connector Assembly .....	147
Connector .....	149
Connector Assembly .....	151
Connector Assembly .....	153
Connector Assembly .....	155
Starting relay Conneting parts .....	157
Connector .....	159
Vehicle Connector .....	161
<b>Electronic Control Unit Group</b> .....	<b>163</b>
<b>Electronic Control System Harness Group</b> .....	<b>165</b>
<b>Alternator Group</b> .....	<b>167</b>



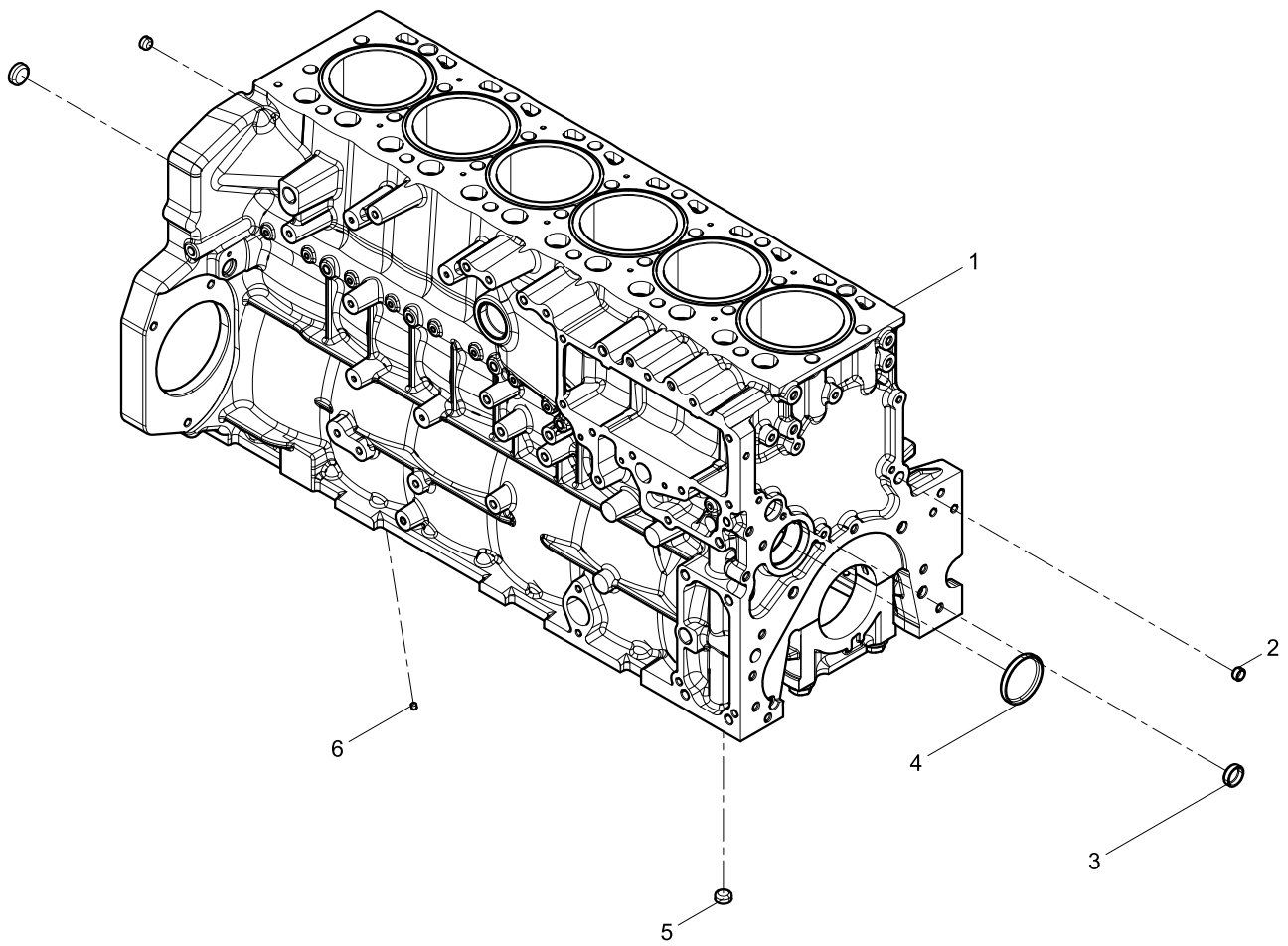
# Engine Block Group



1

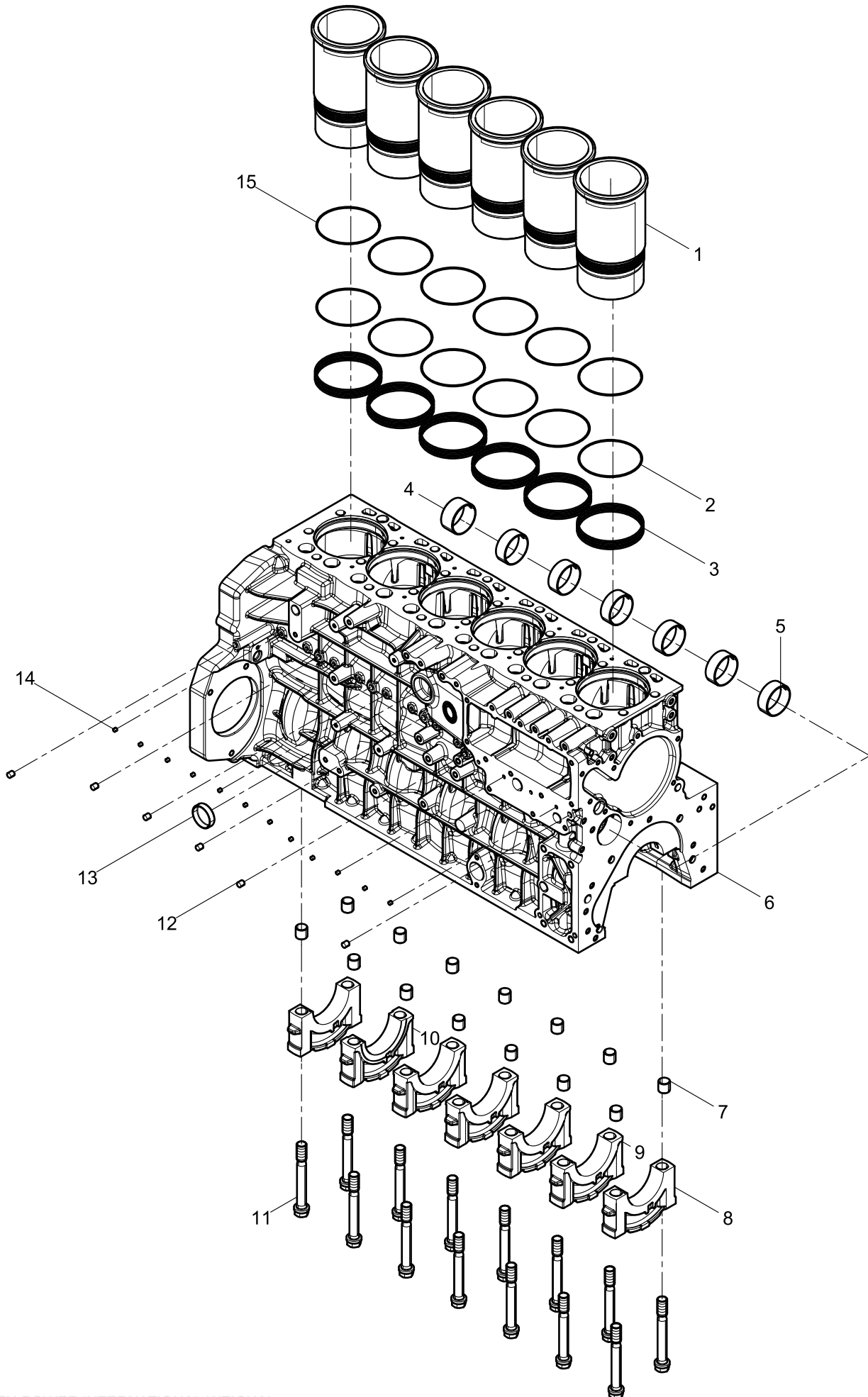


### crankcase assembly





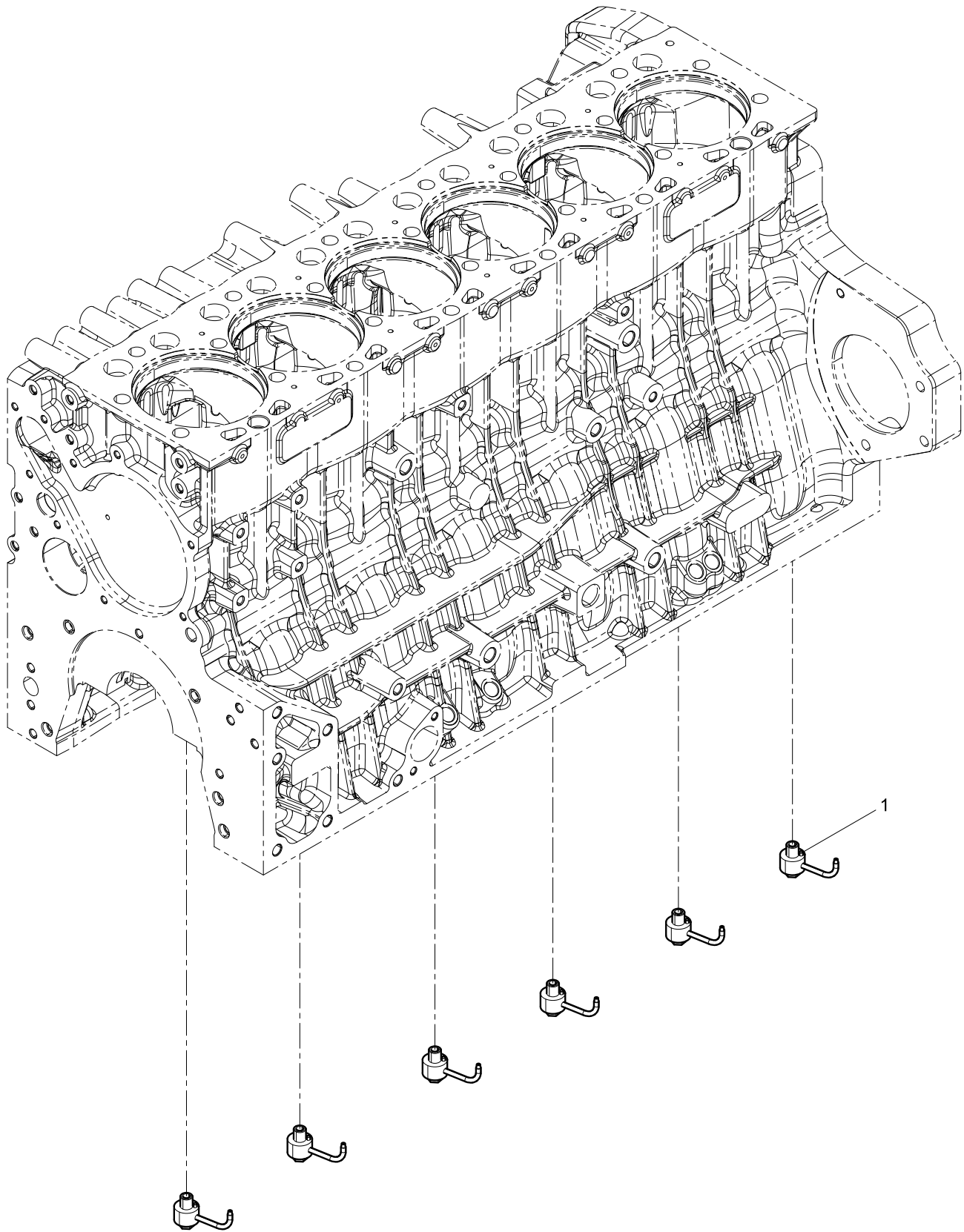
### Cylinder Block Preassembly





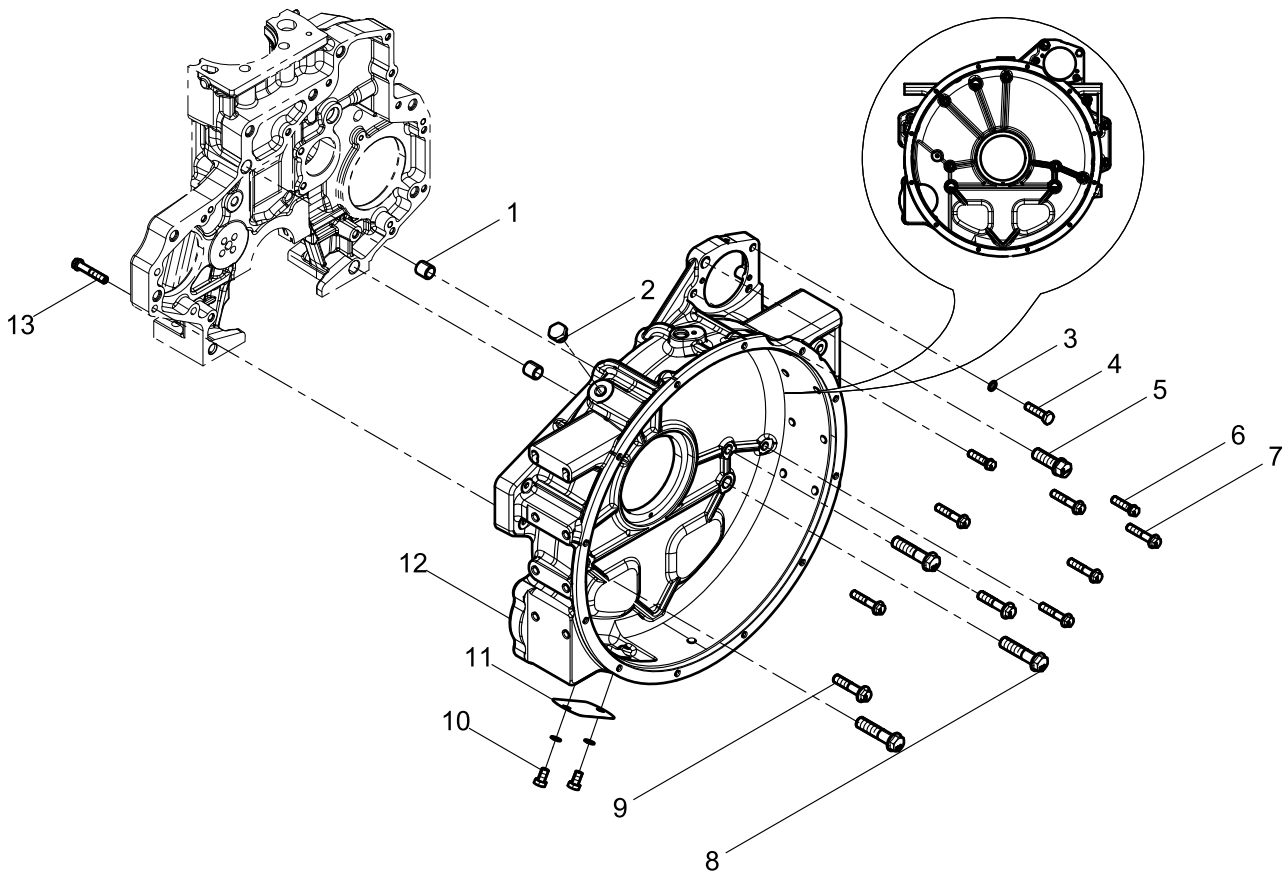


### Nozzle Set

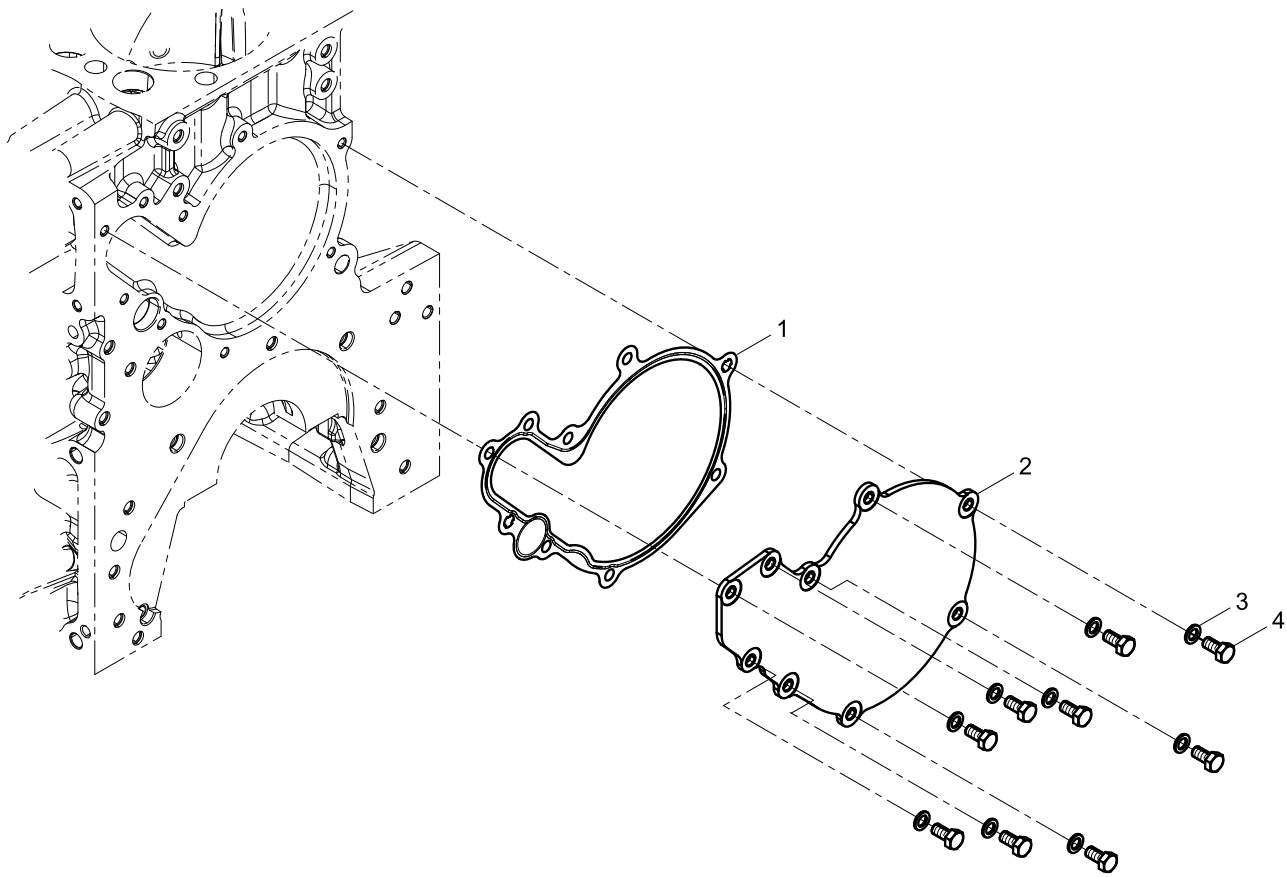




### Flywheel Housing Group

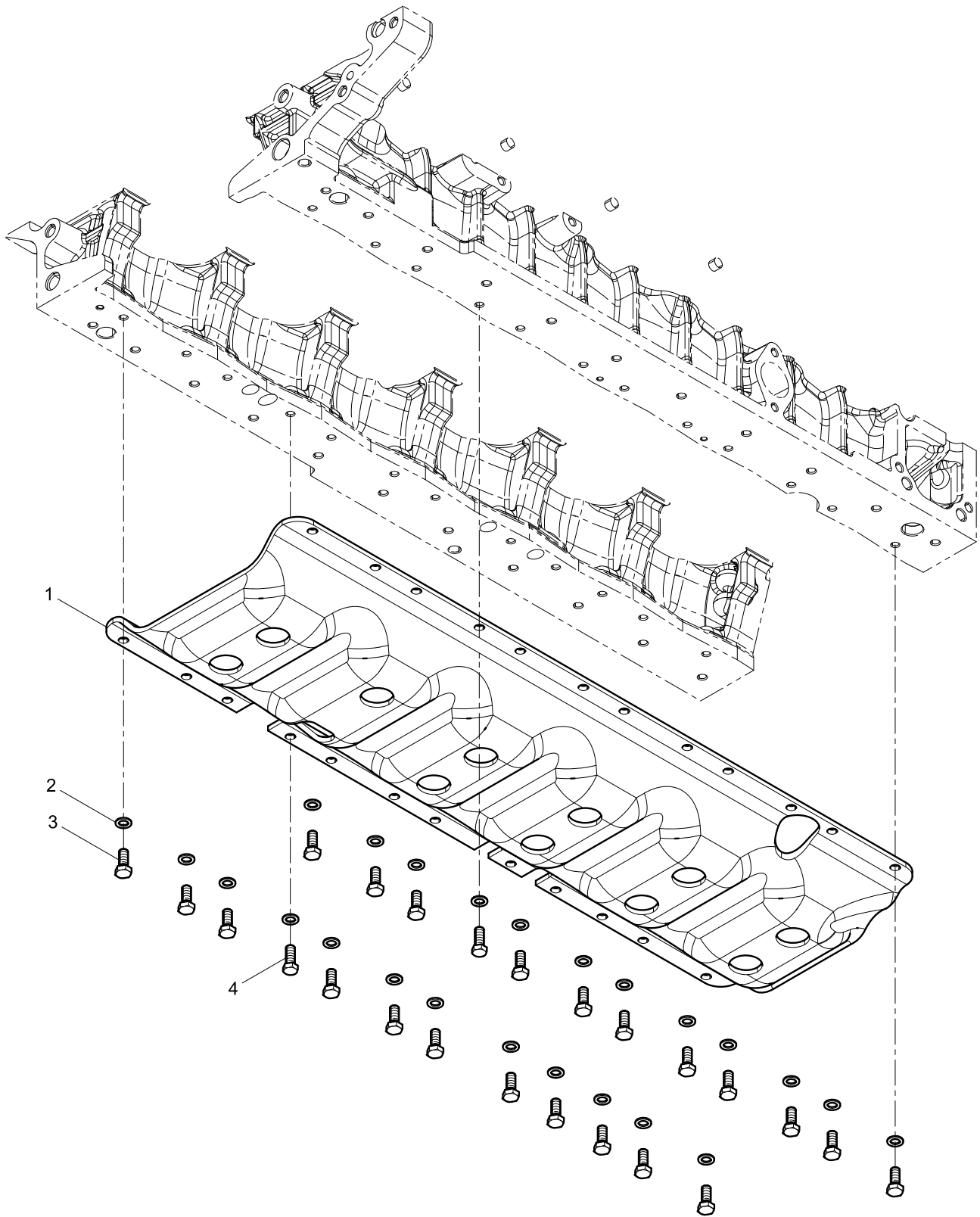








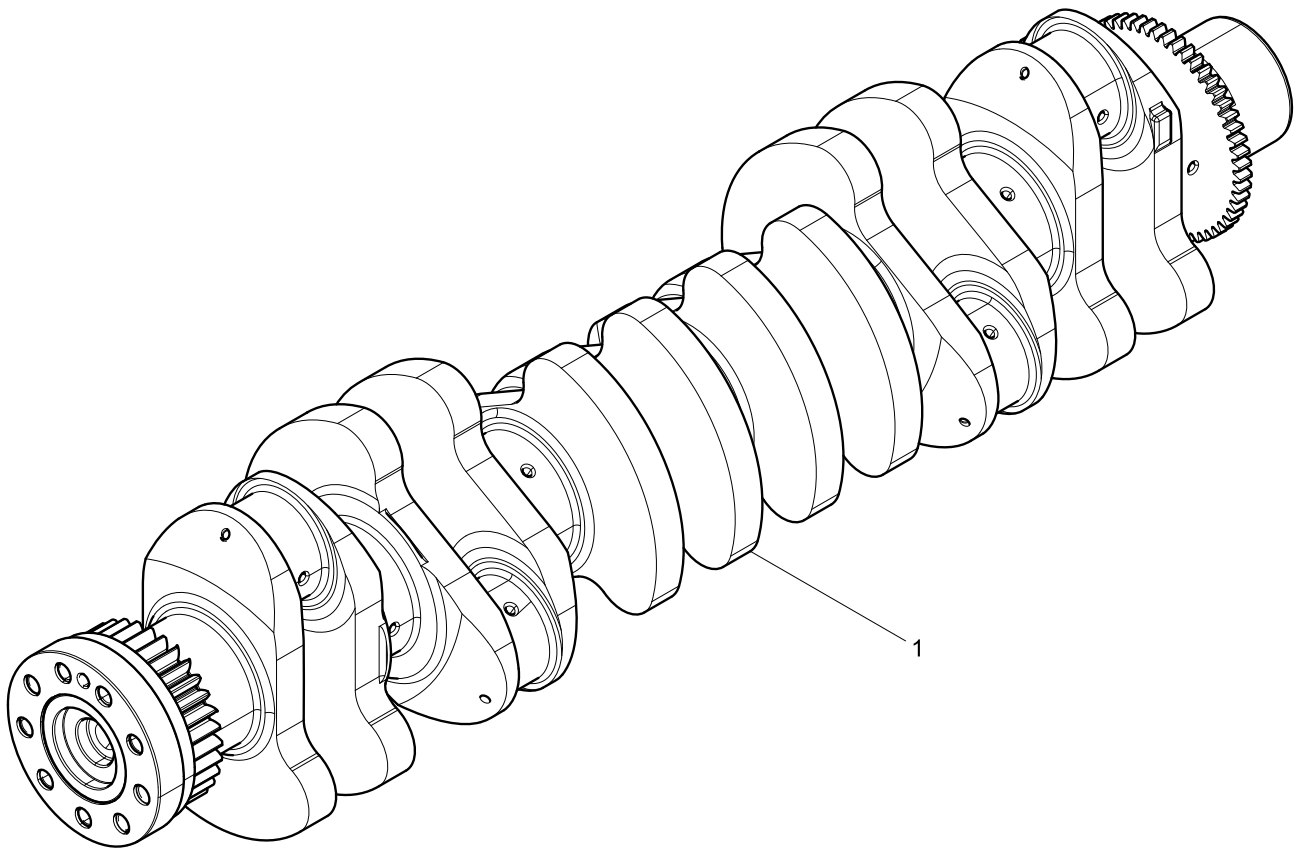
### Engine Block Reinforcing Plate Group





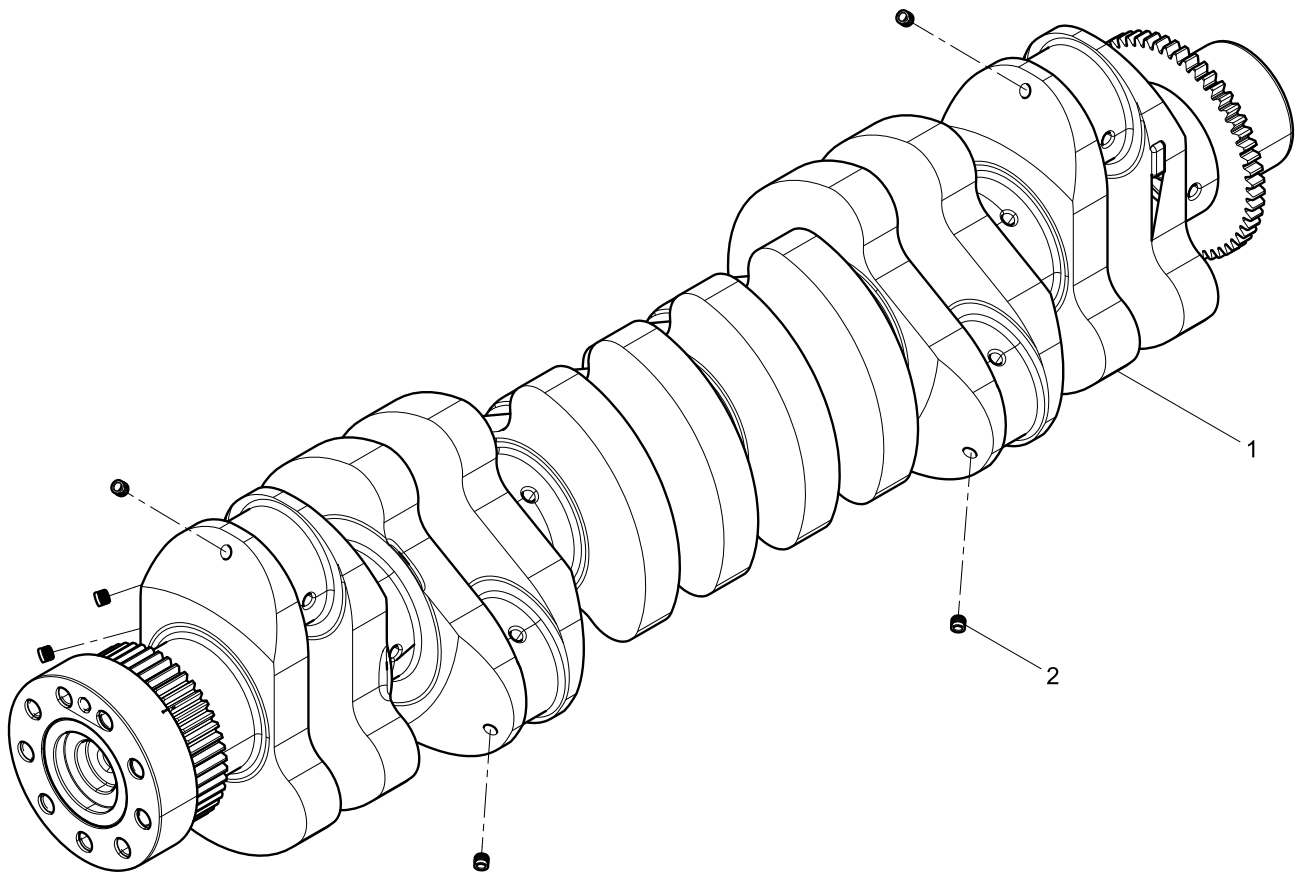


## Crankshaft Group



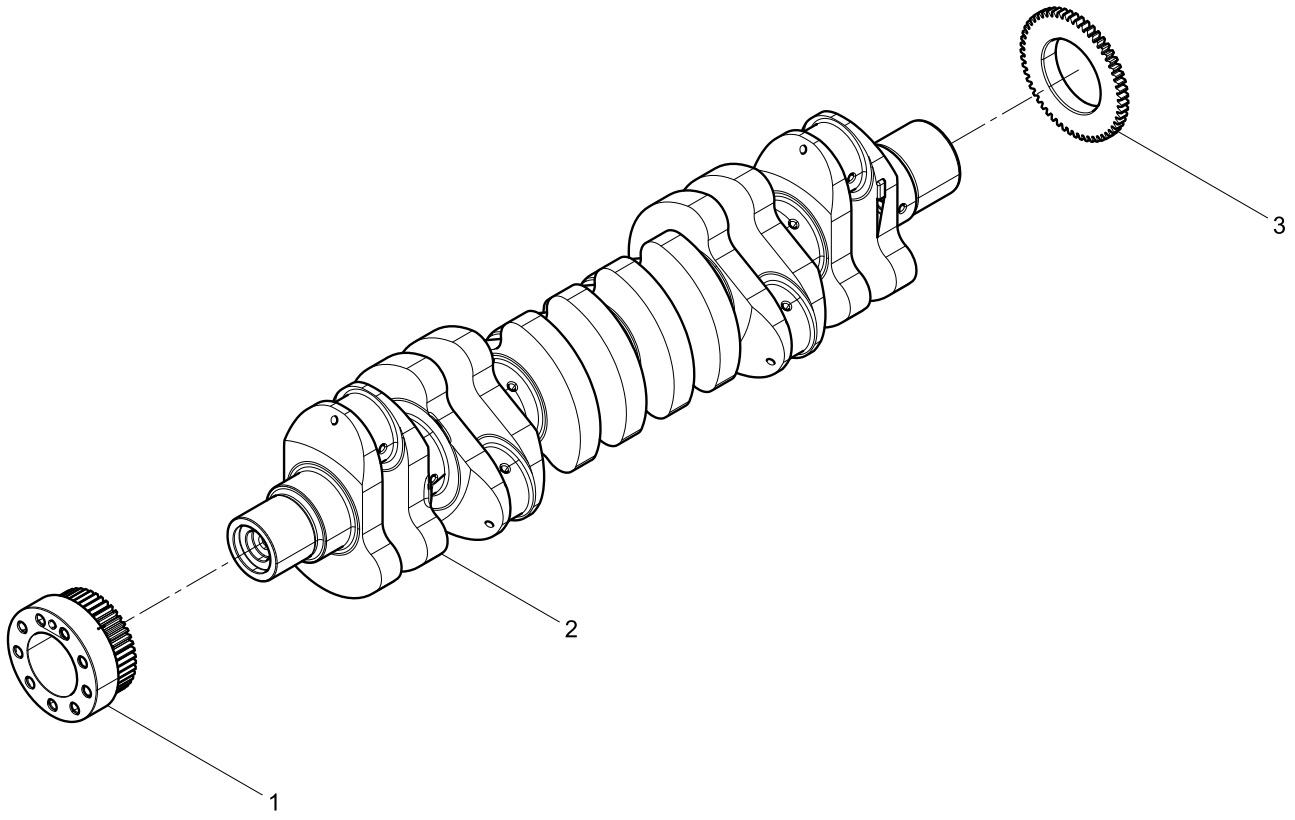


### Crankshaft Assembly



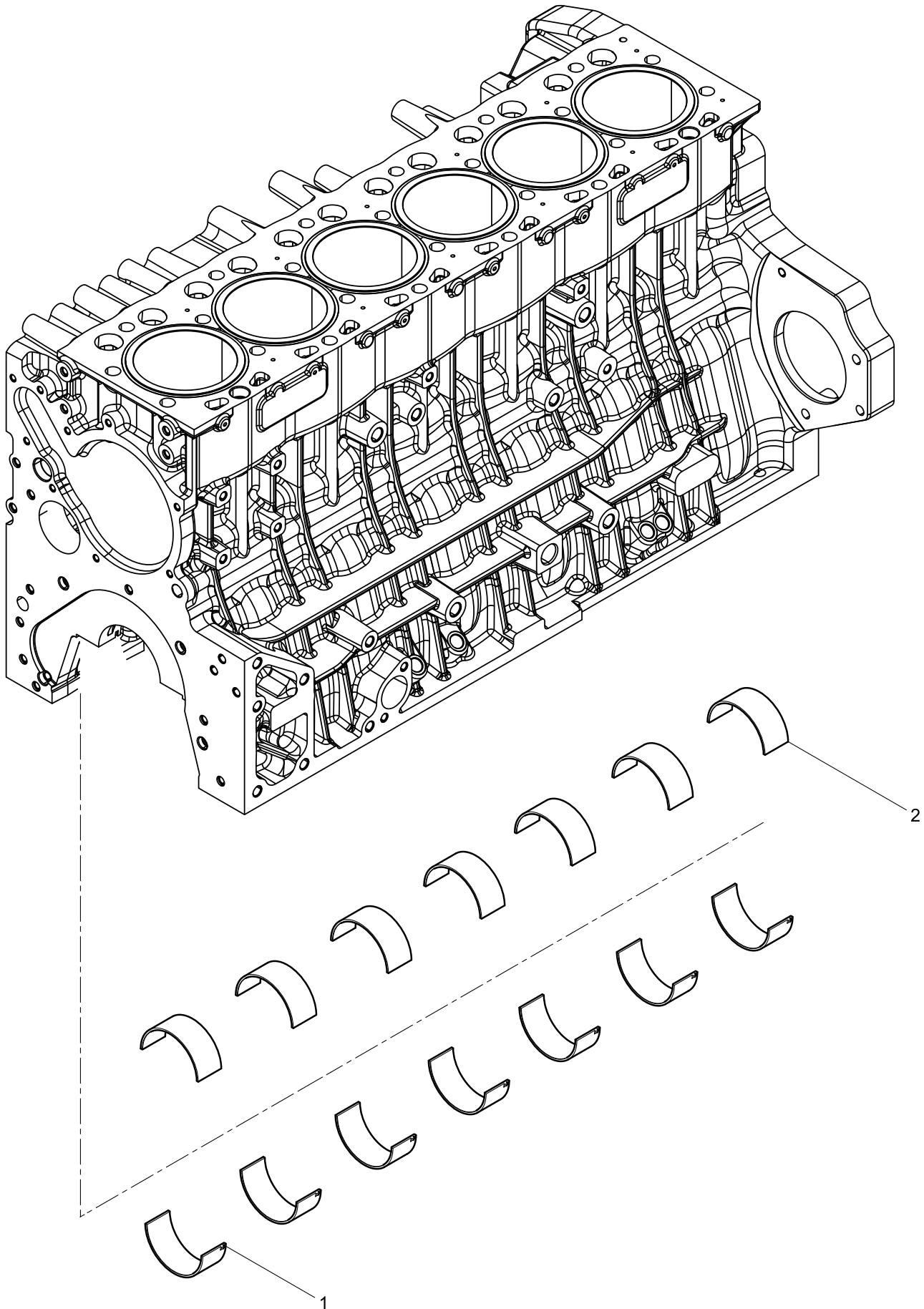


### Crankshaft Subassembly





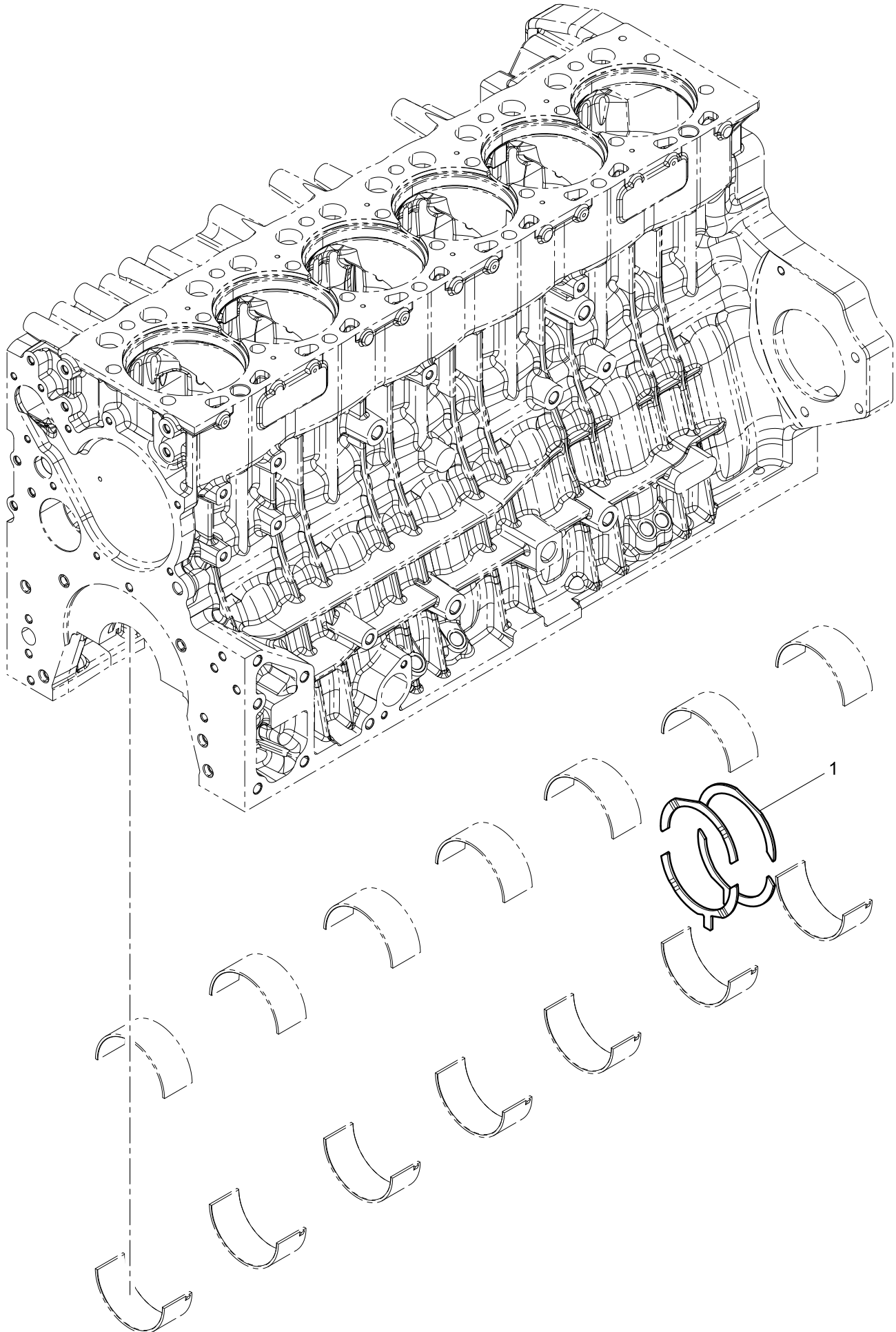
### Main Bearing Set





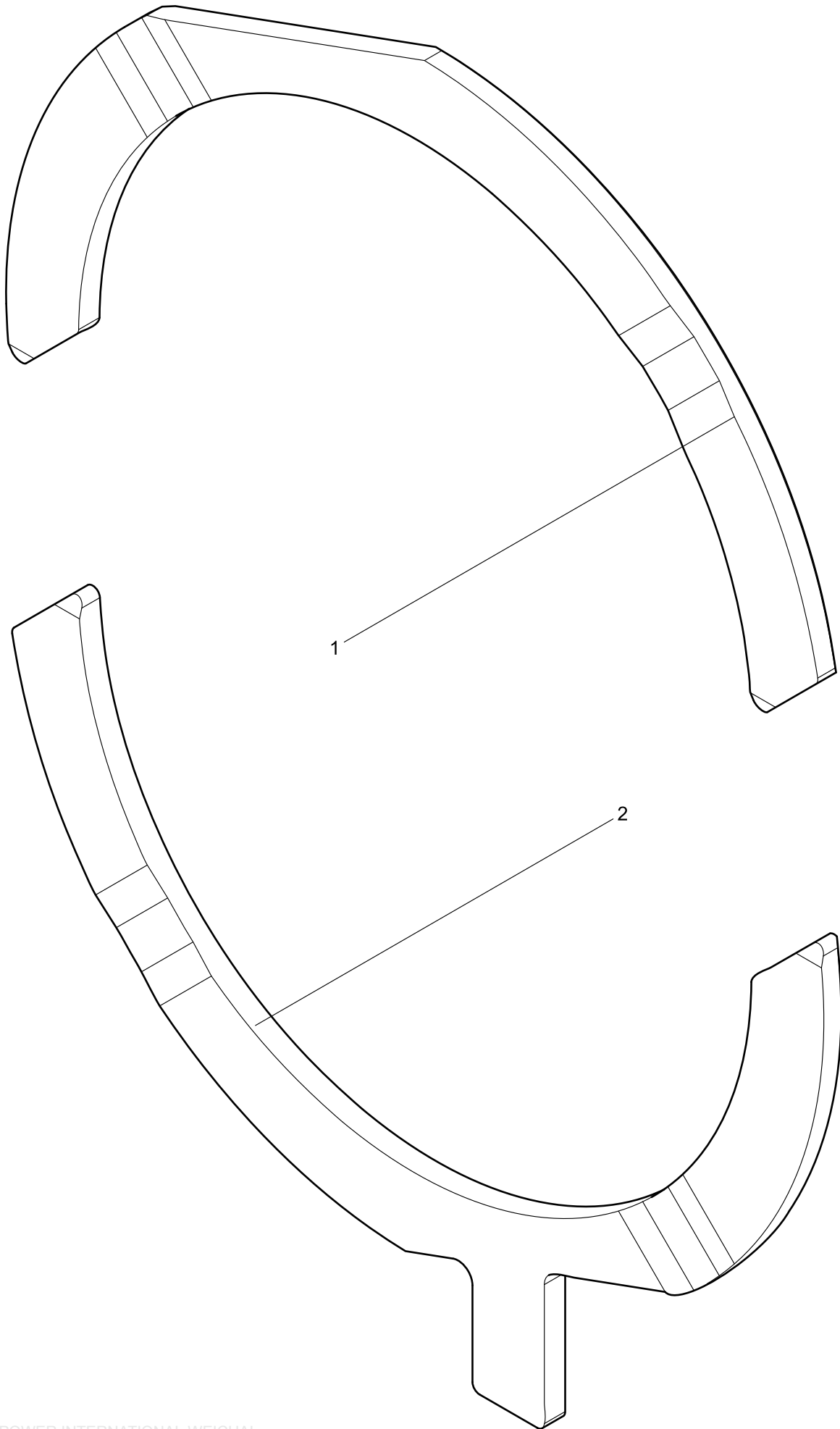


### Thrust Plate Group



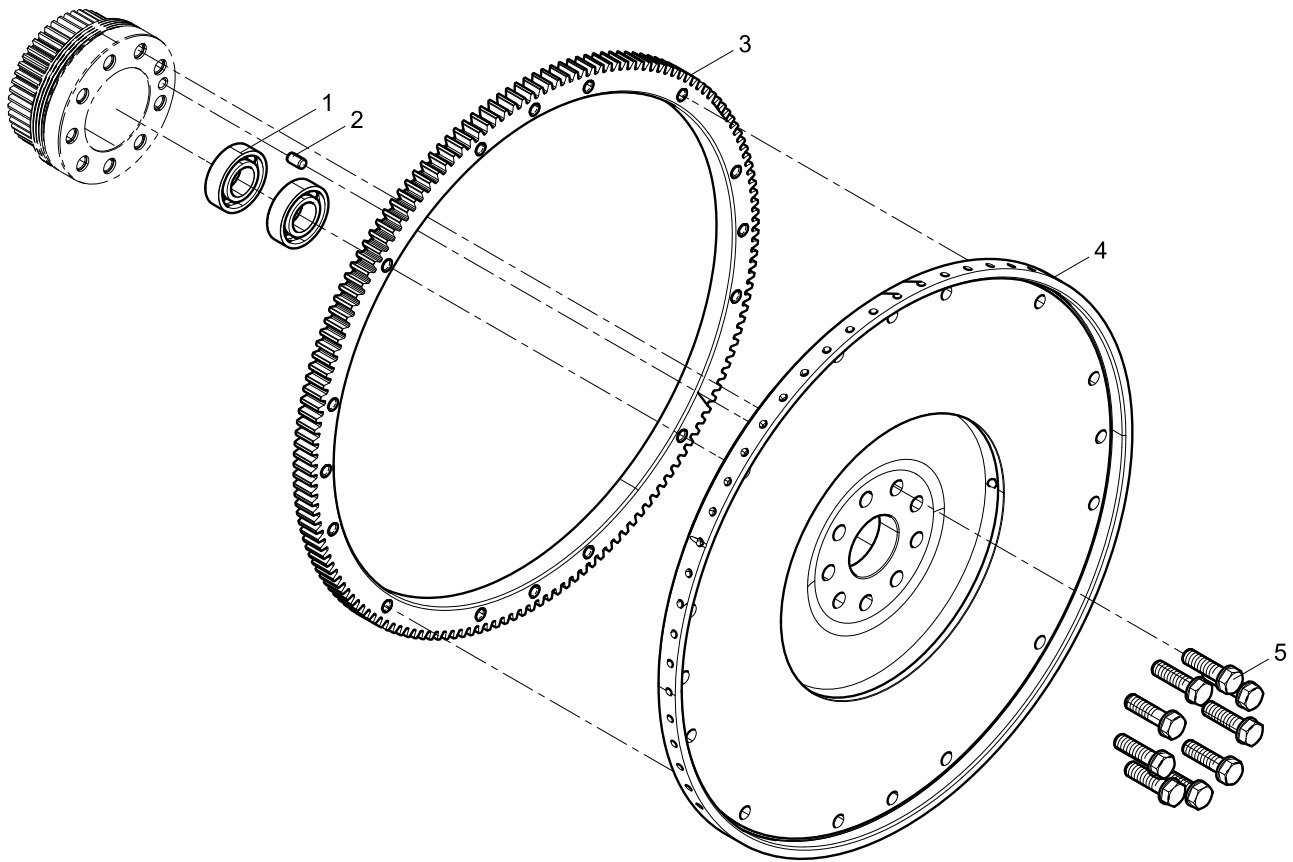


### Thrust Plate Set



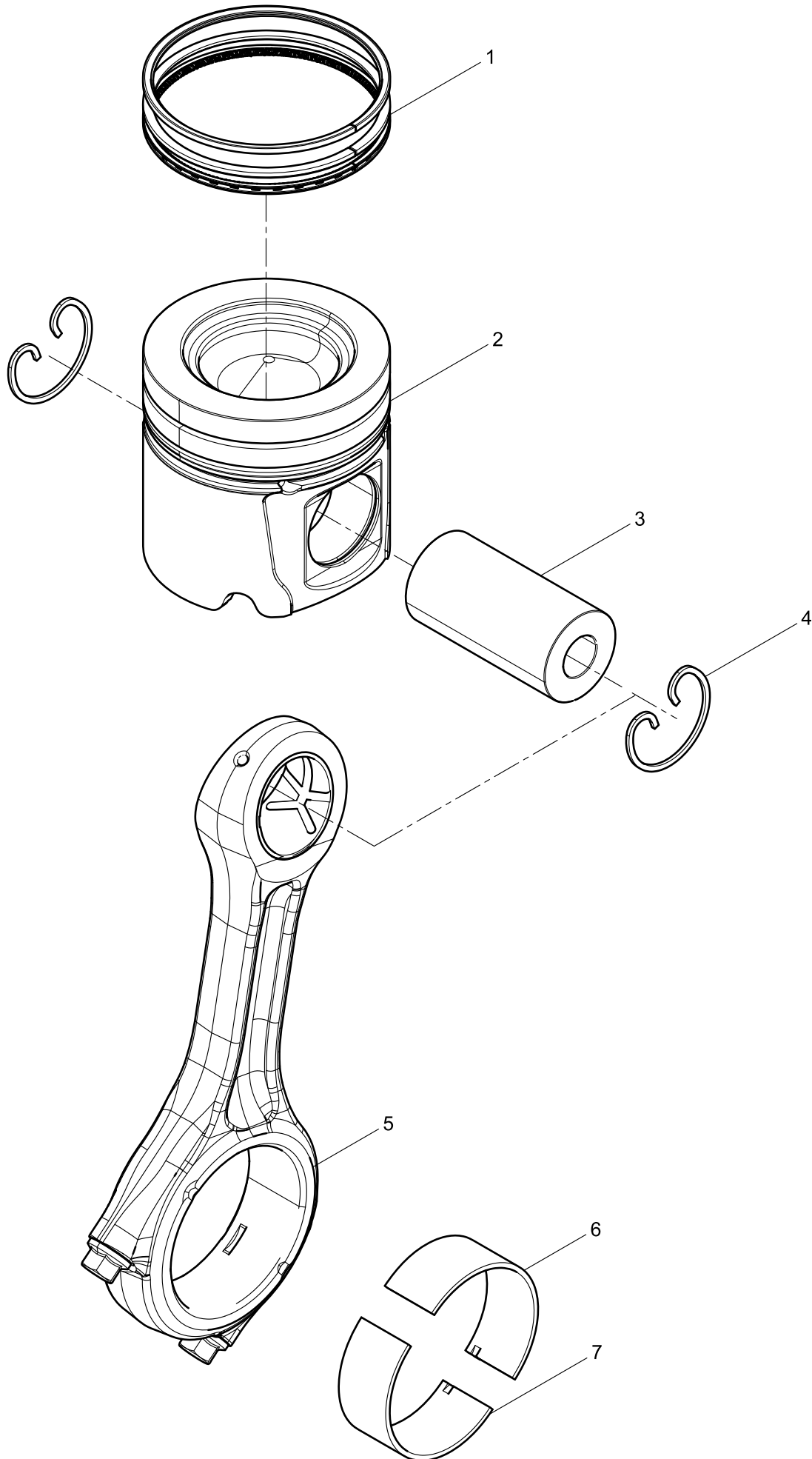


### Flywheel Group





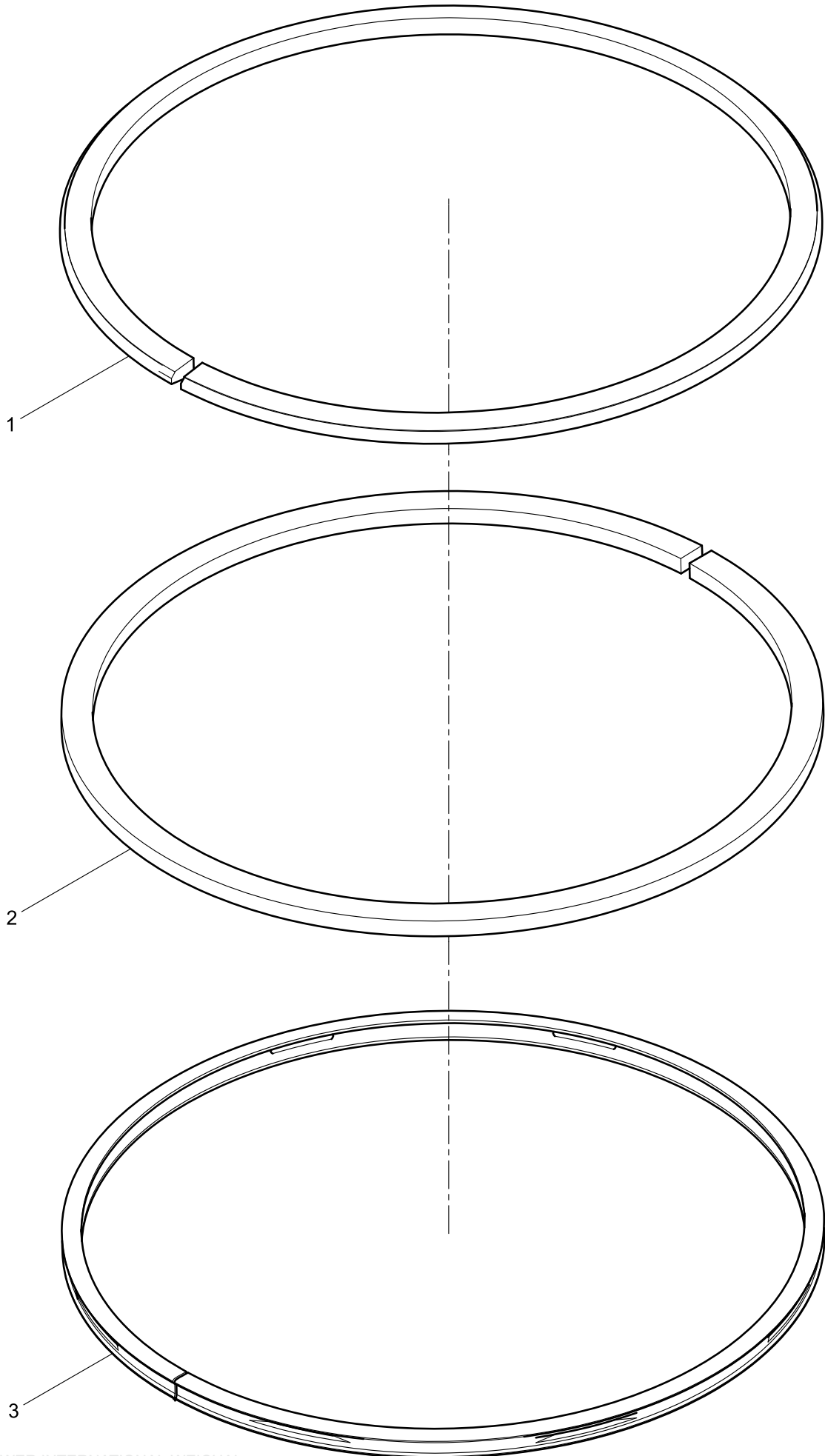
### Piston and Connecting Rod Group





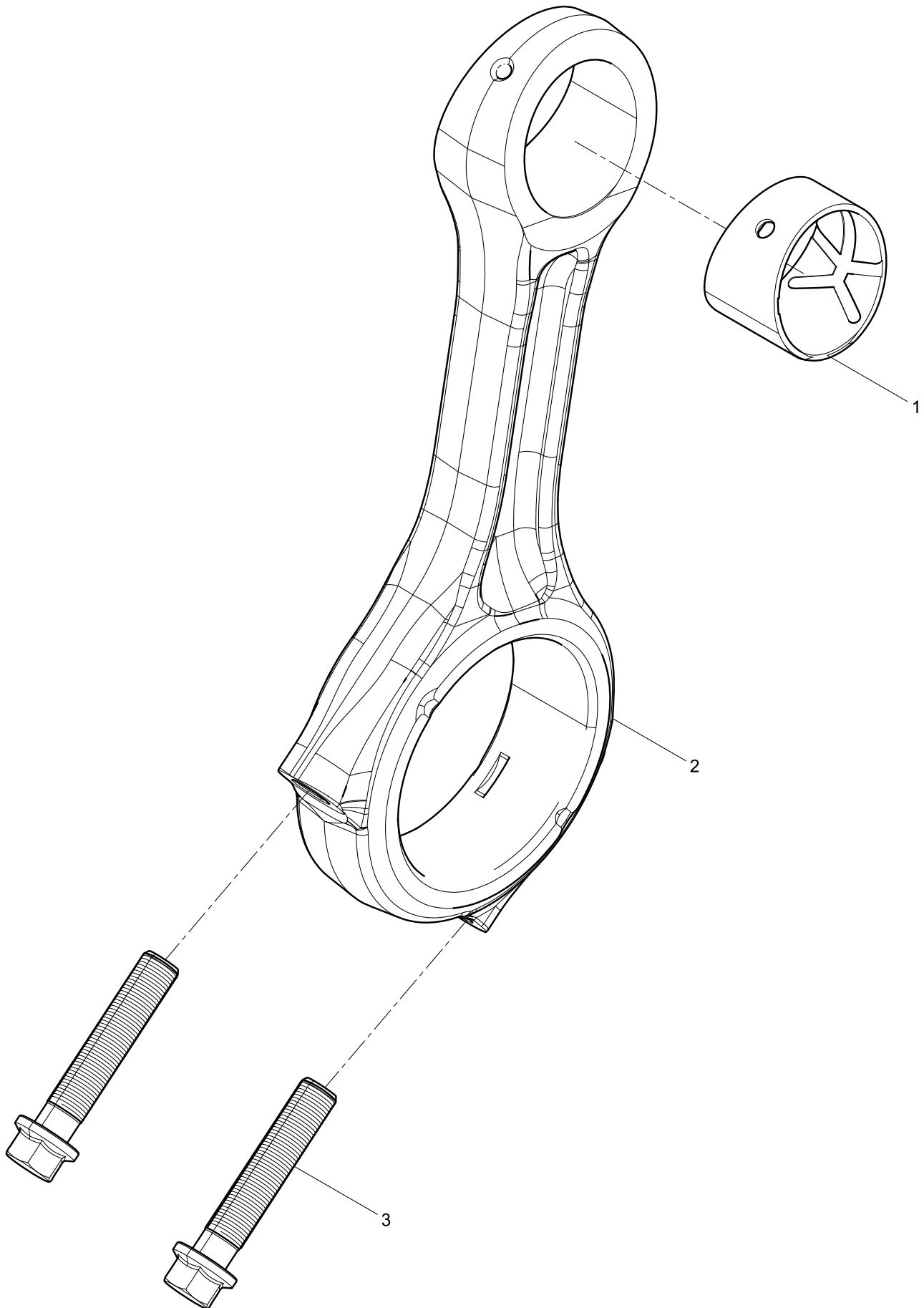


### Piston Ring Set



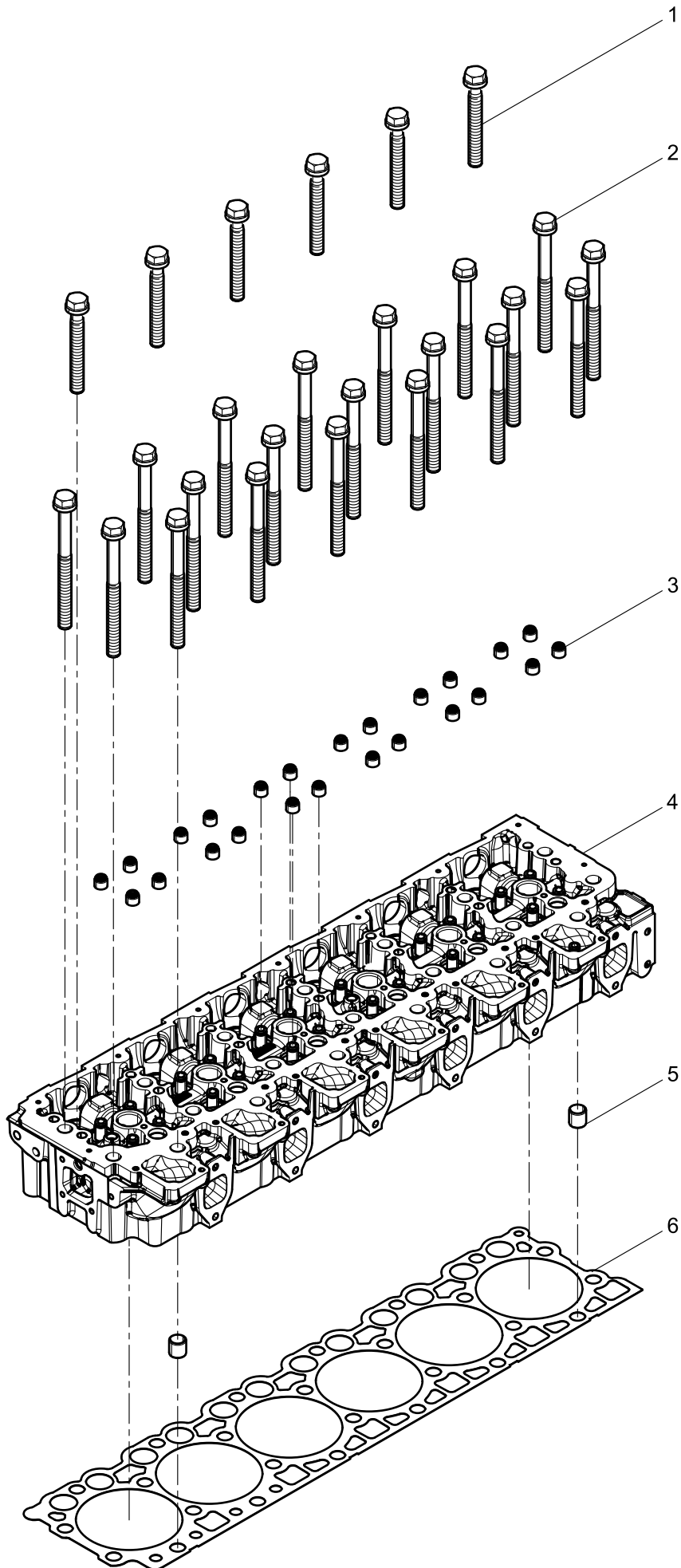


### Connecting Rod Assembly



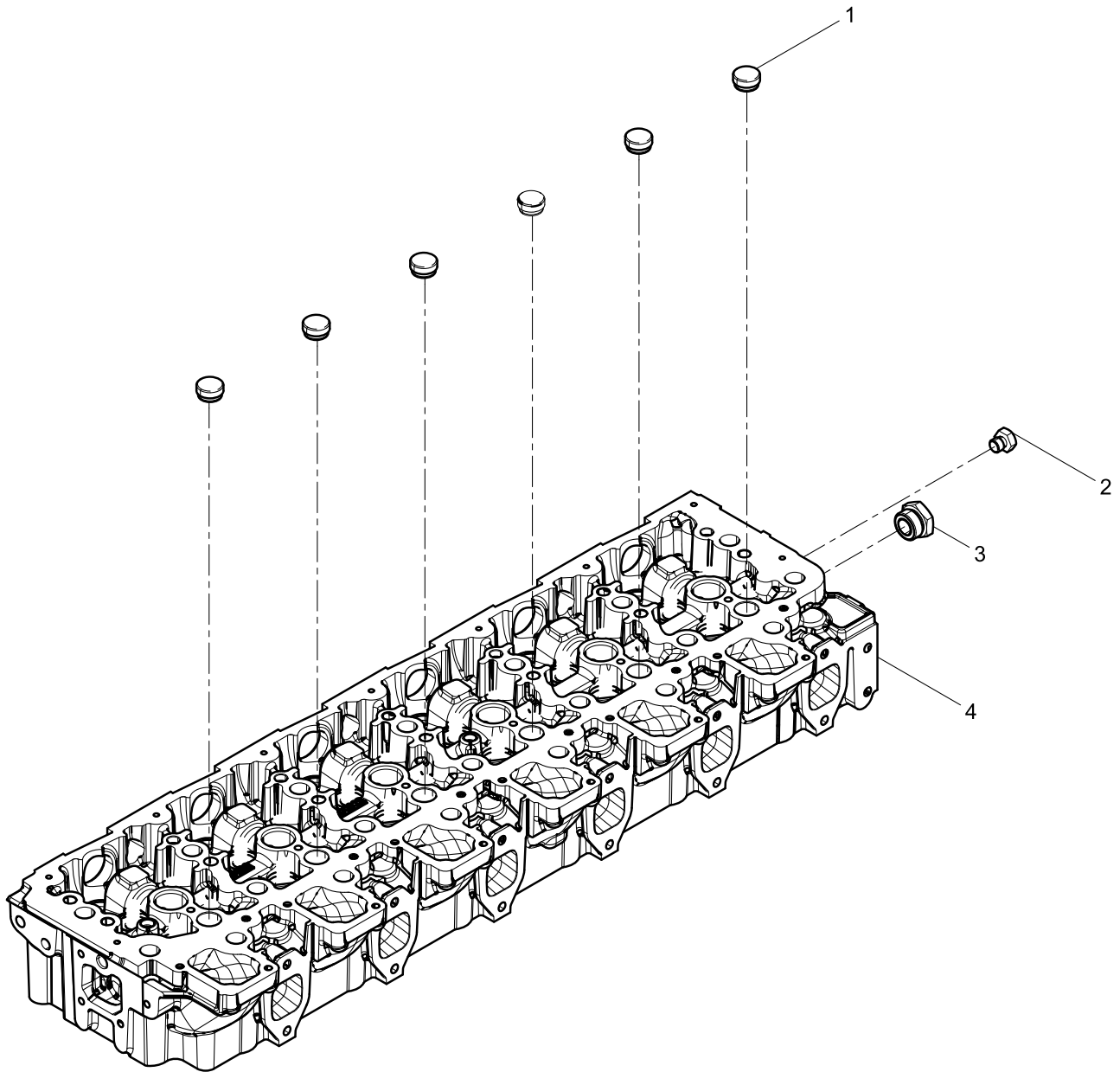


### Cylinder Head Group





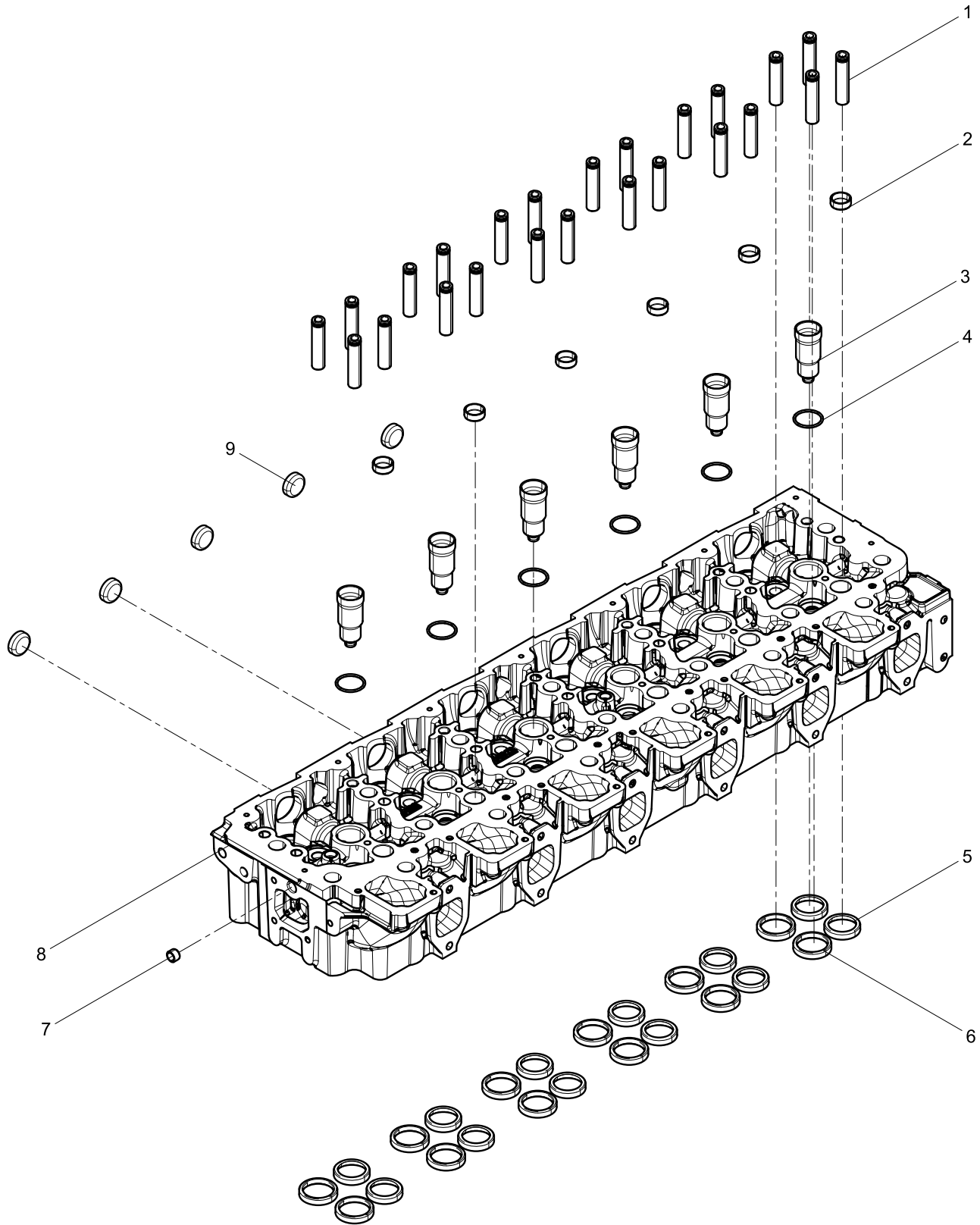
### Cylinder Head Assembly





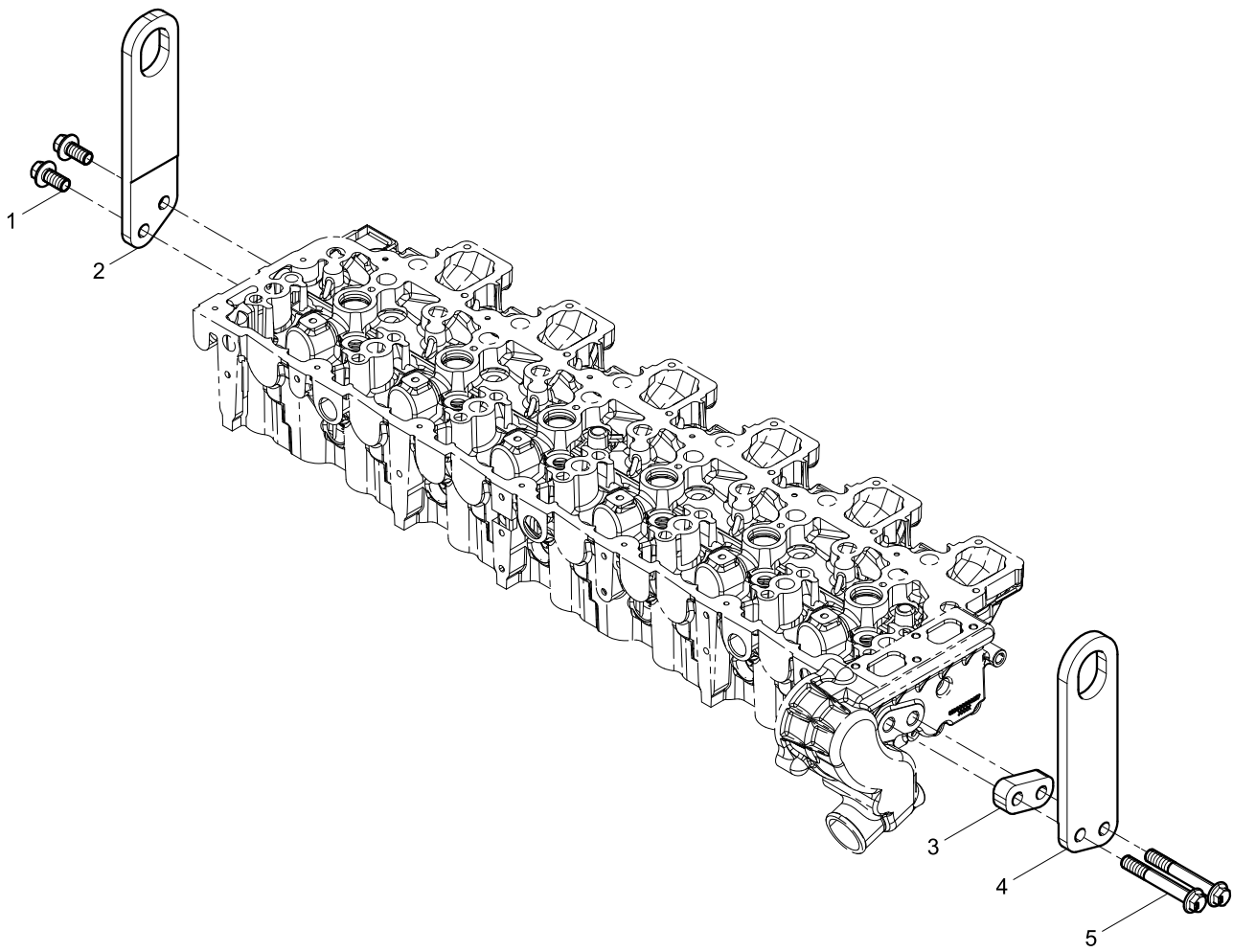


### Cylinder Head Subassembly



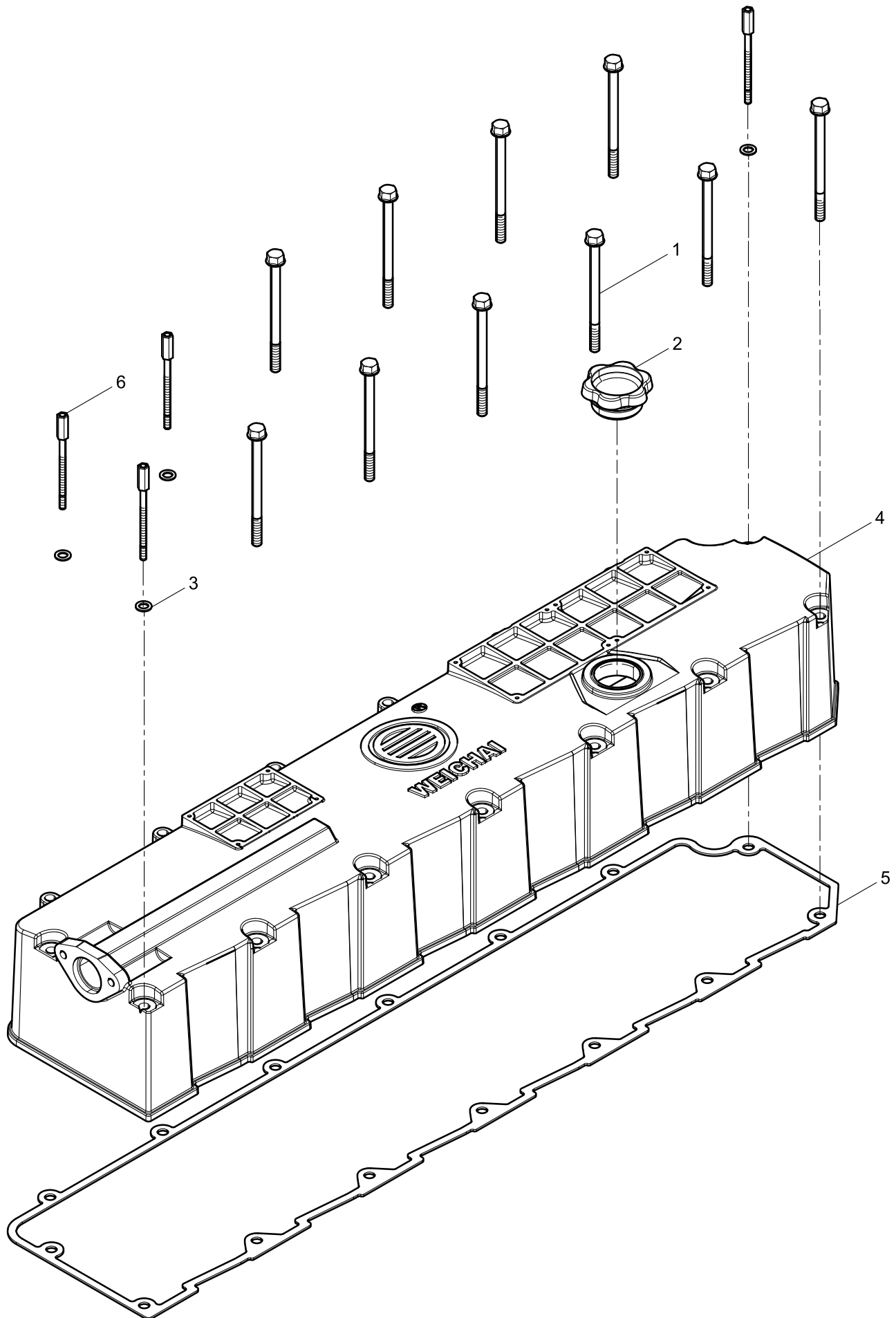


### Engine Hanger Plate Group



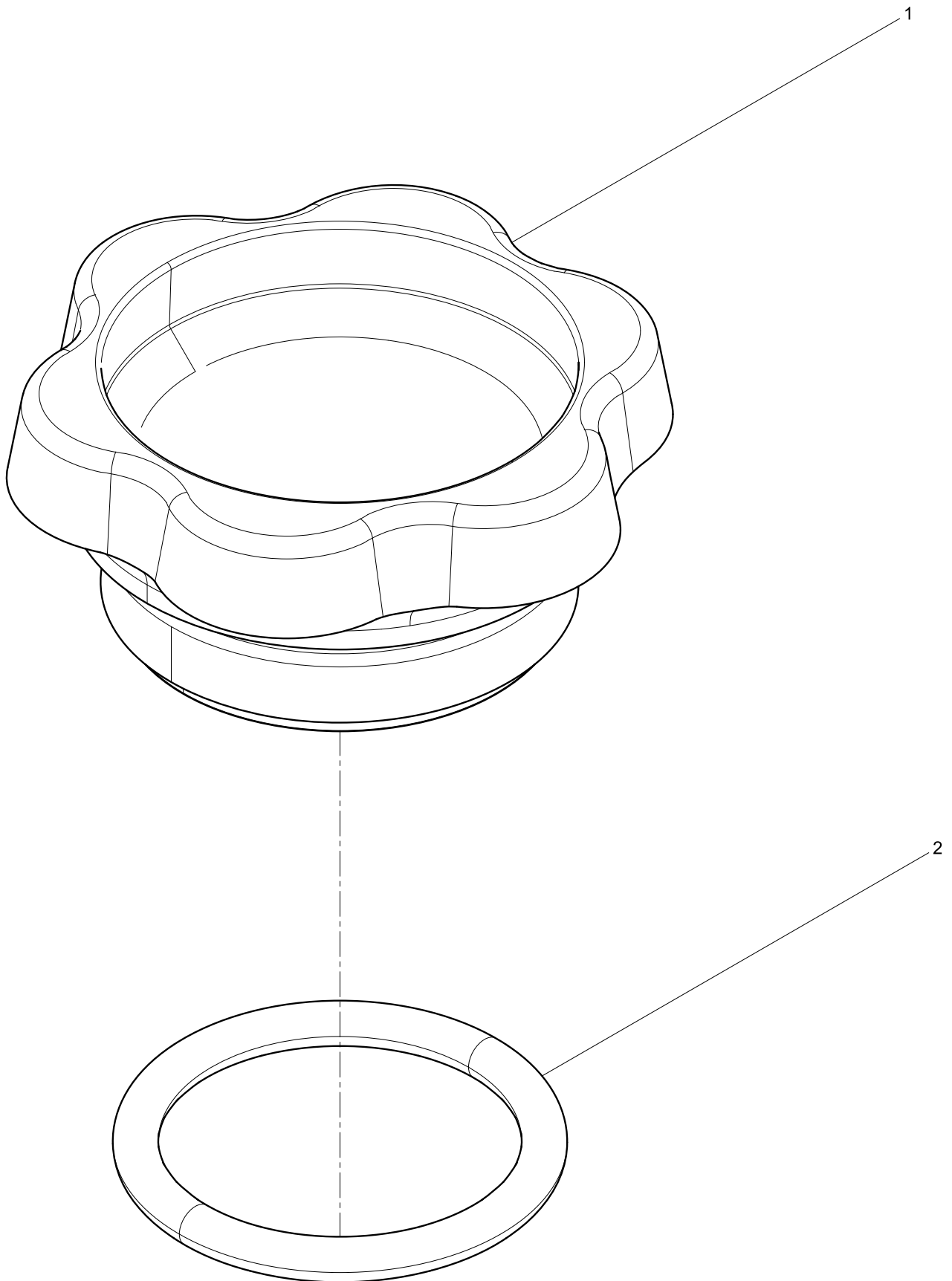


### Cylinder head cover set





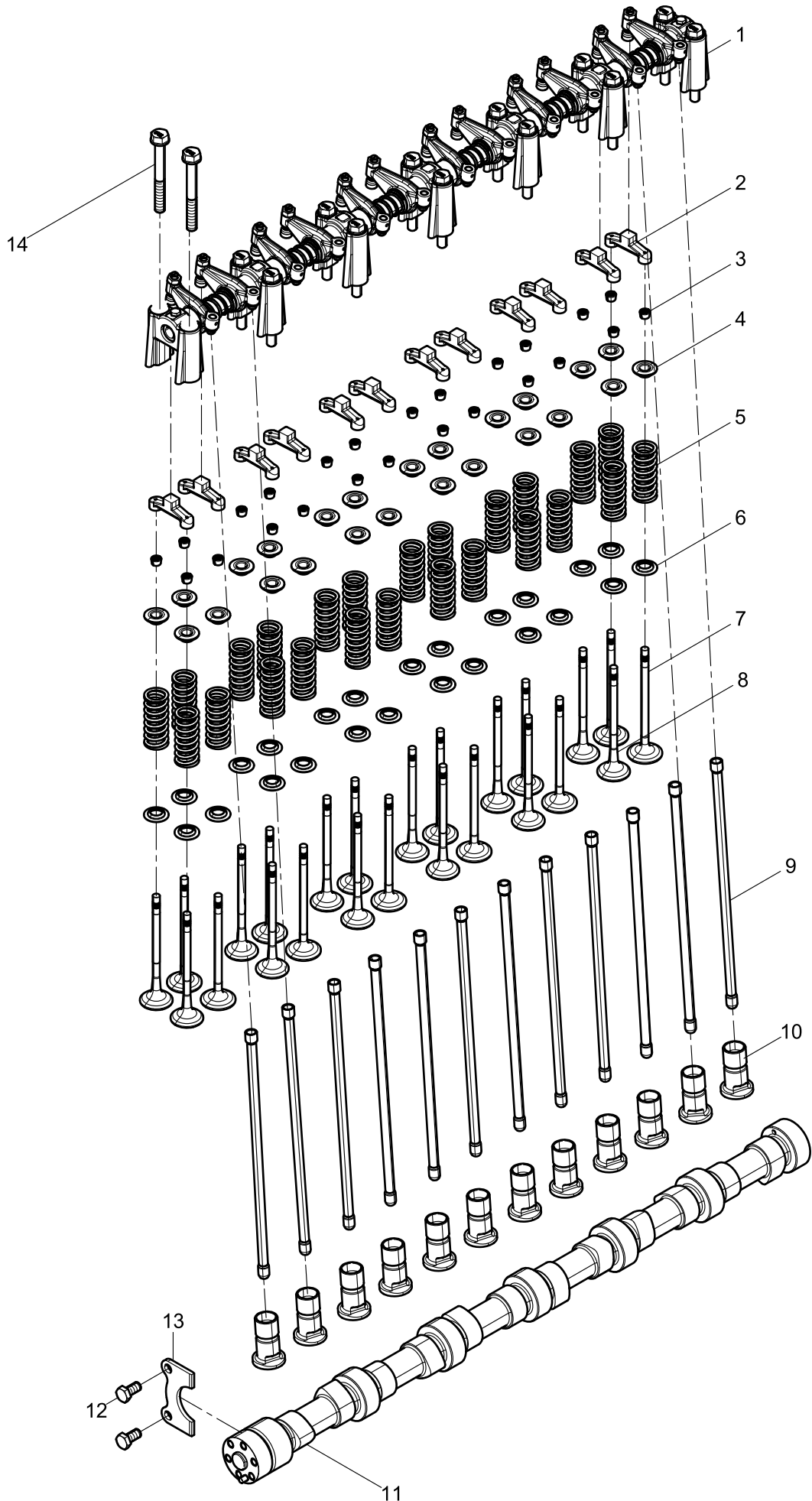
### Oil filling port cover assembly





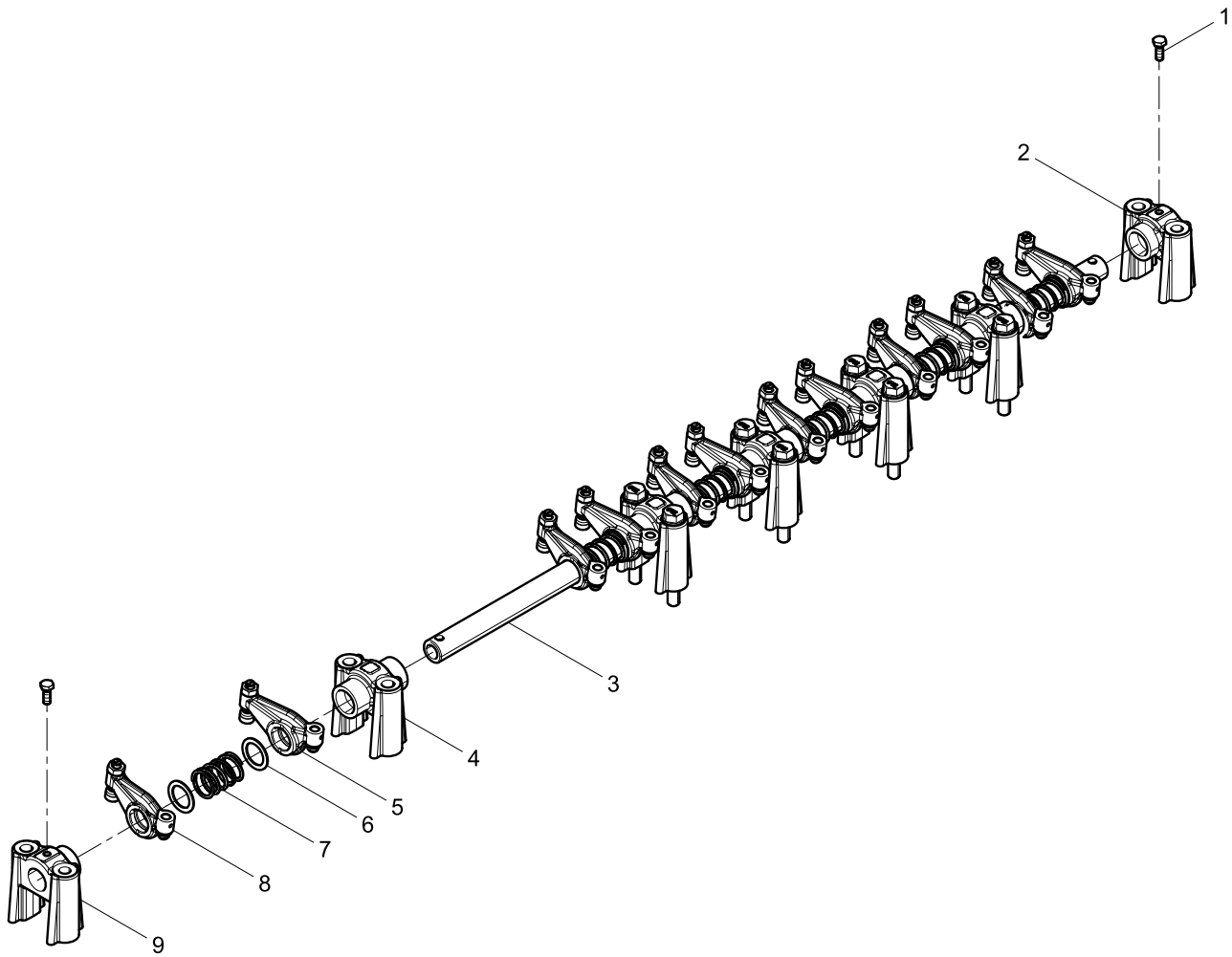


### Valve Train Group



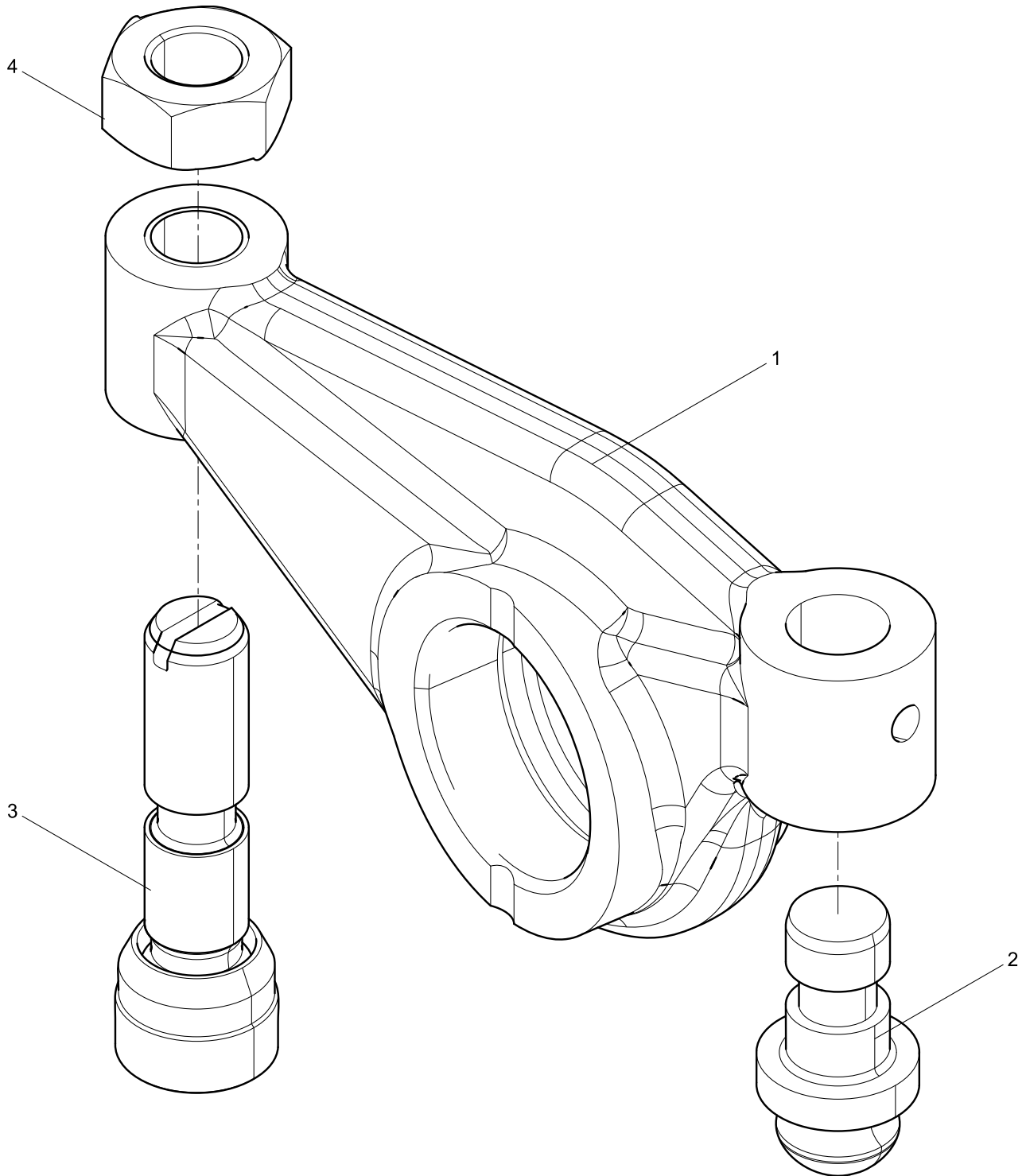


### Integrated Rocker Arm Shaft Assembly



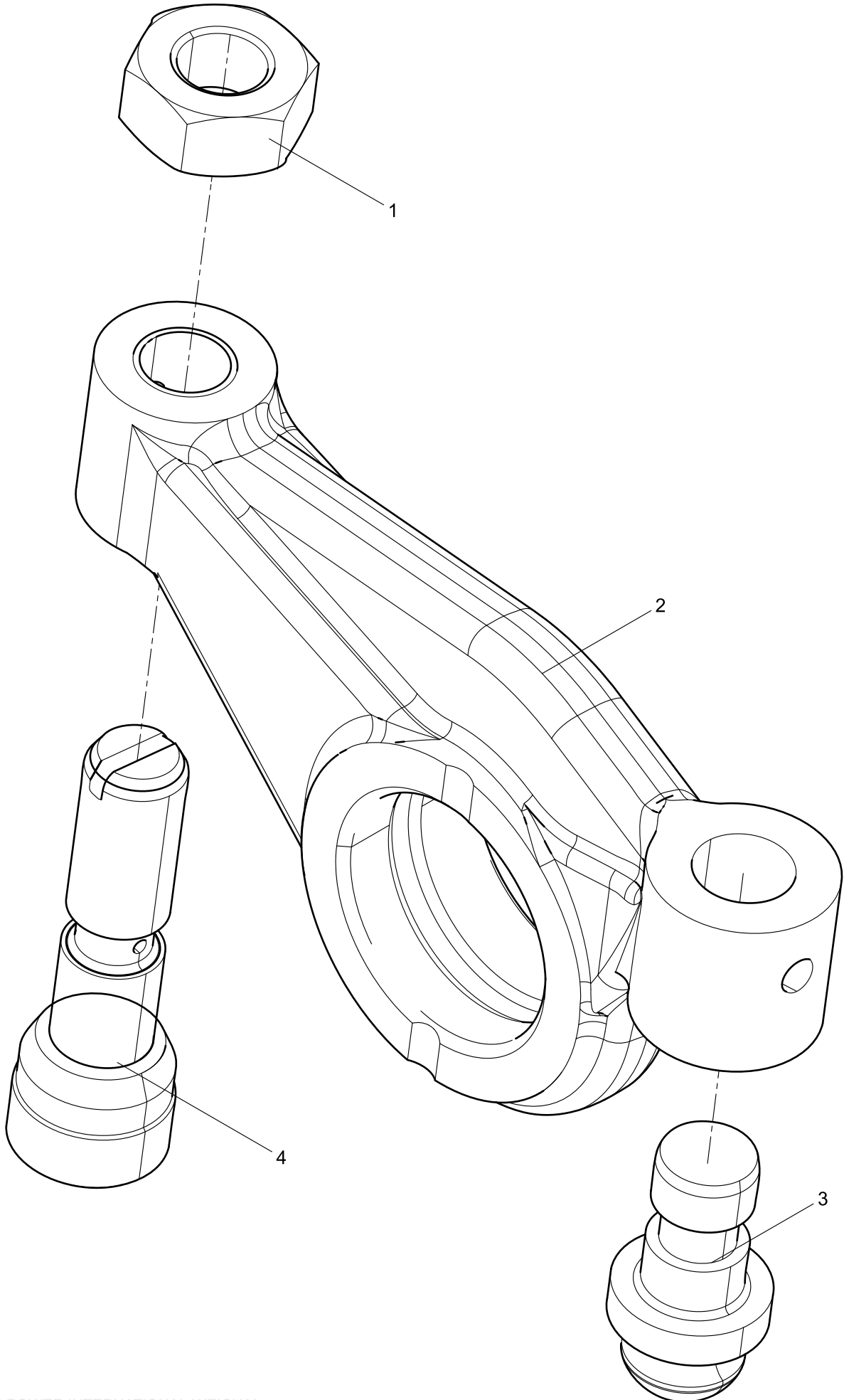


### Intake Rocker Arm Set





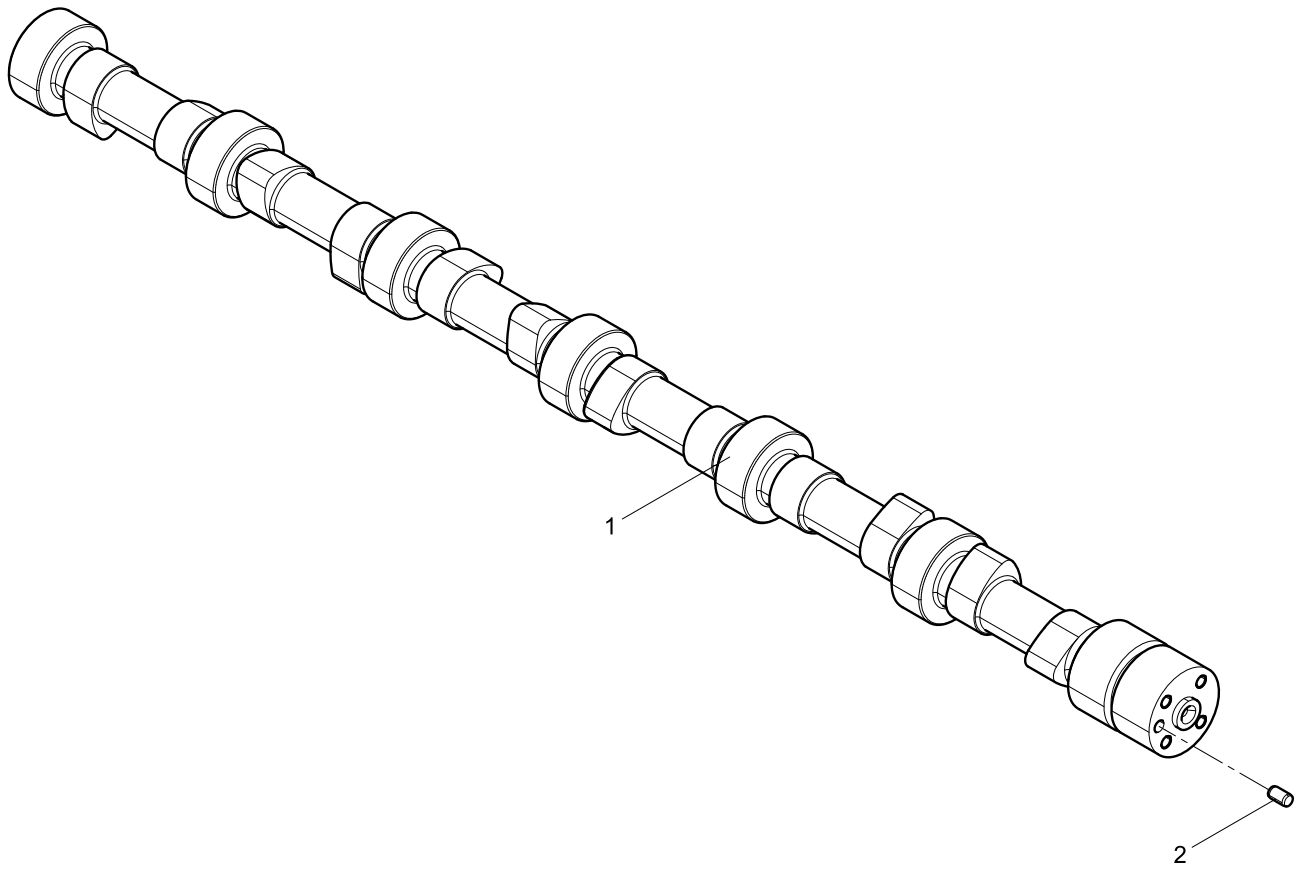
### Exhaust Rocker Arm Set





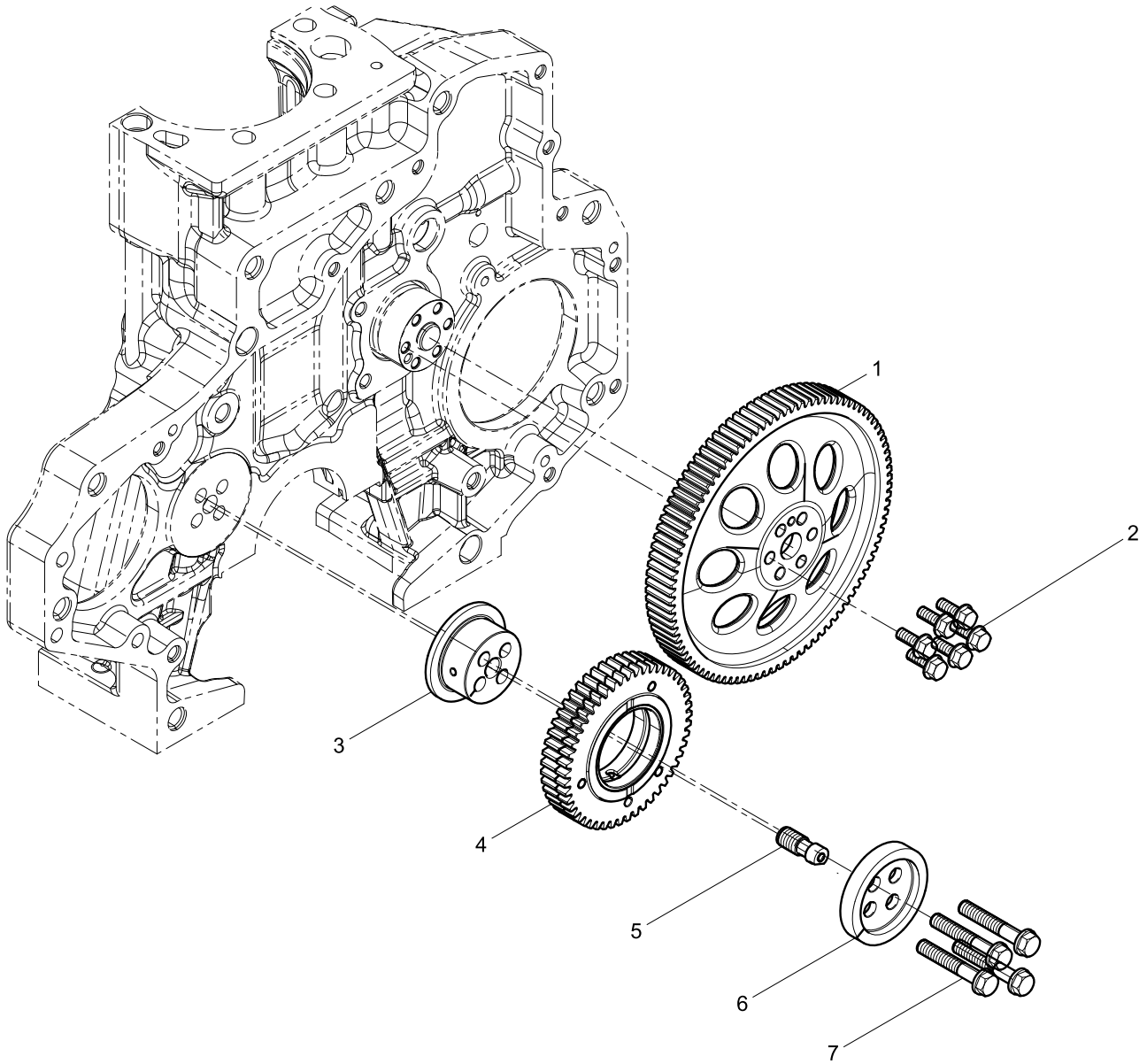


### Camshaft Assembly



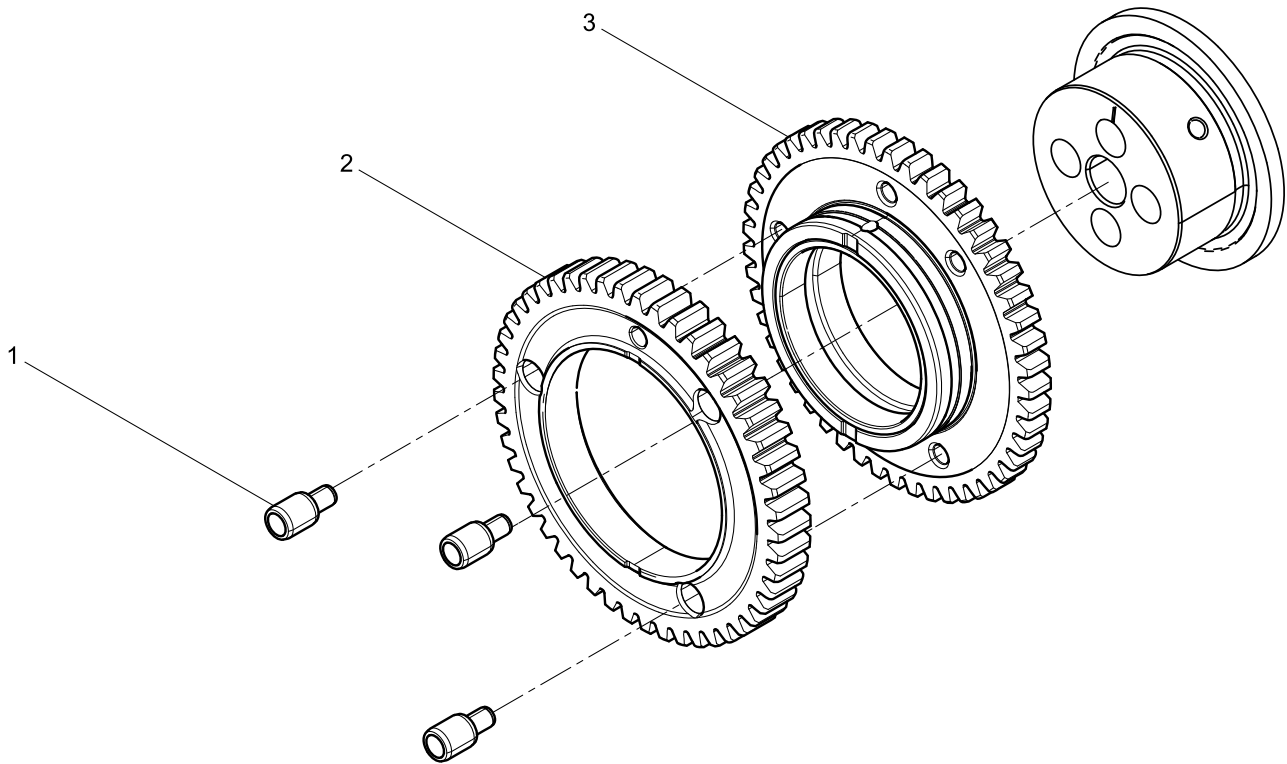


### Gear Drive Group



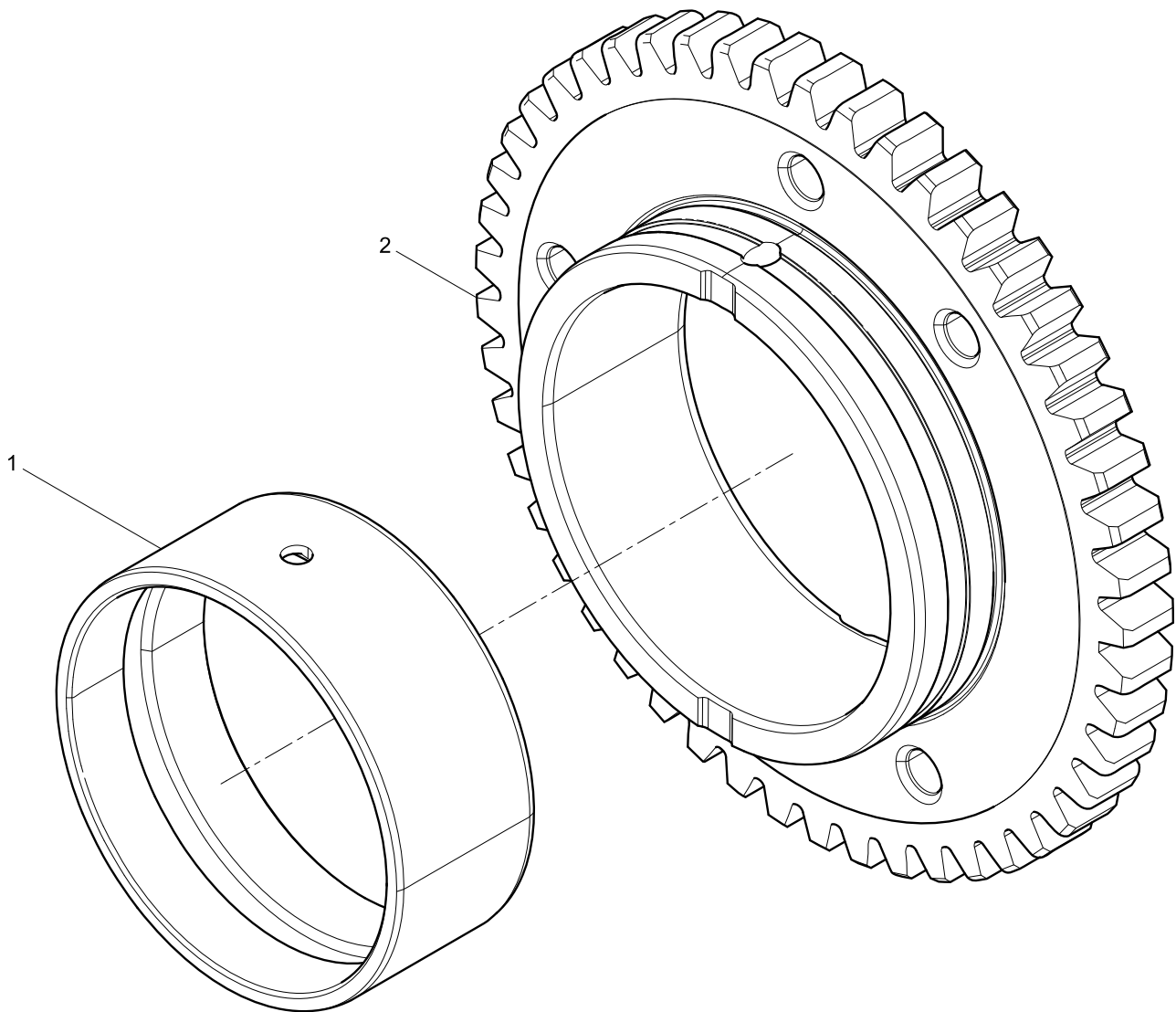


### Idler Gear Assembly





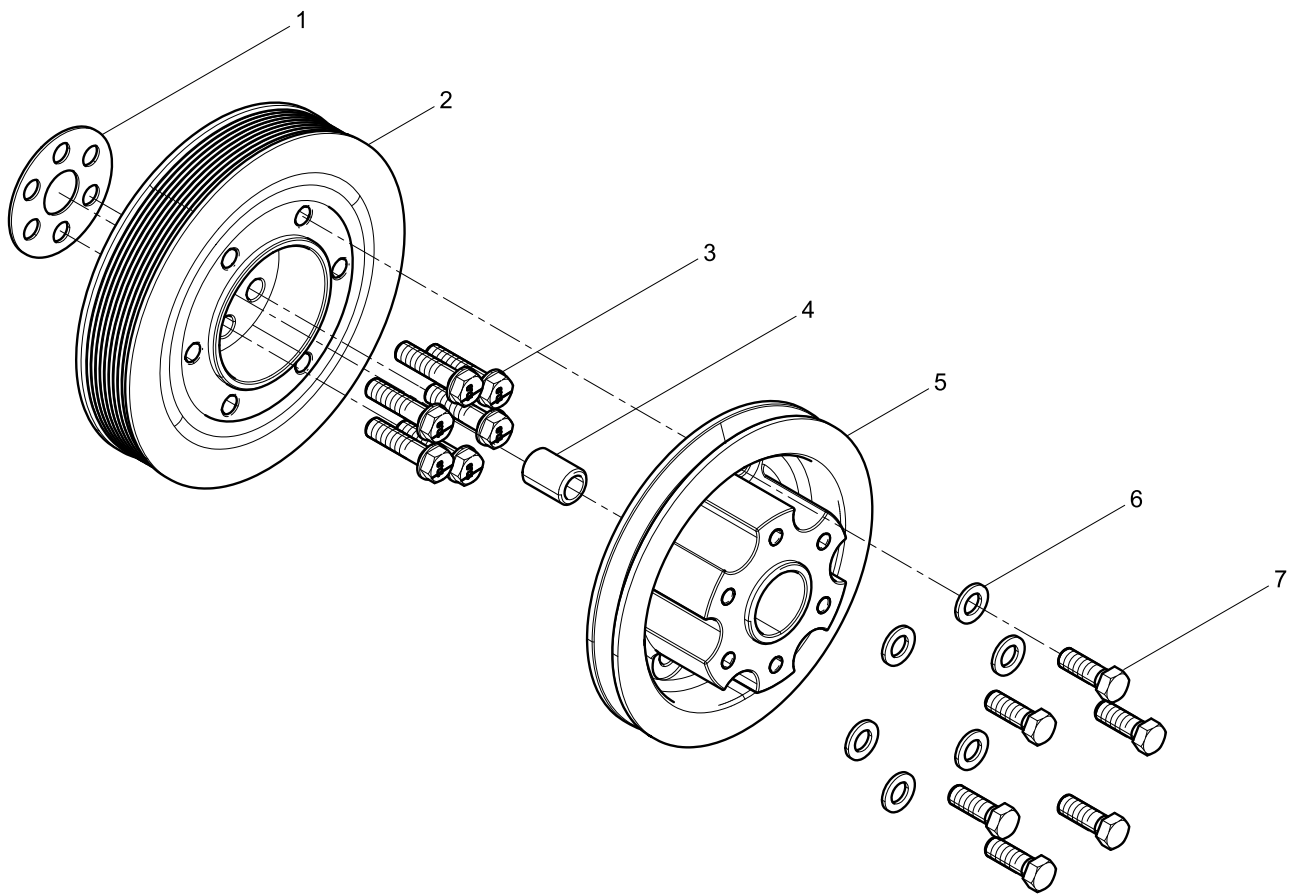
### Idler Gear Set





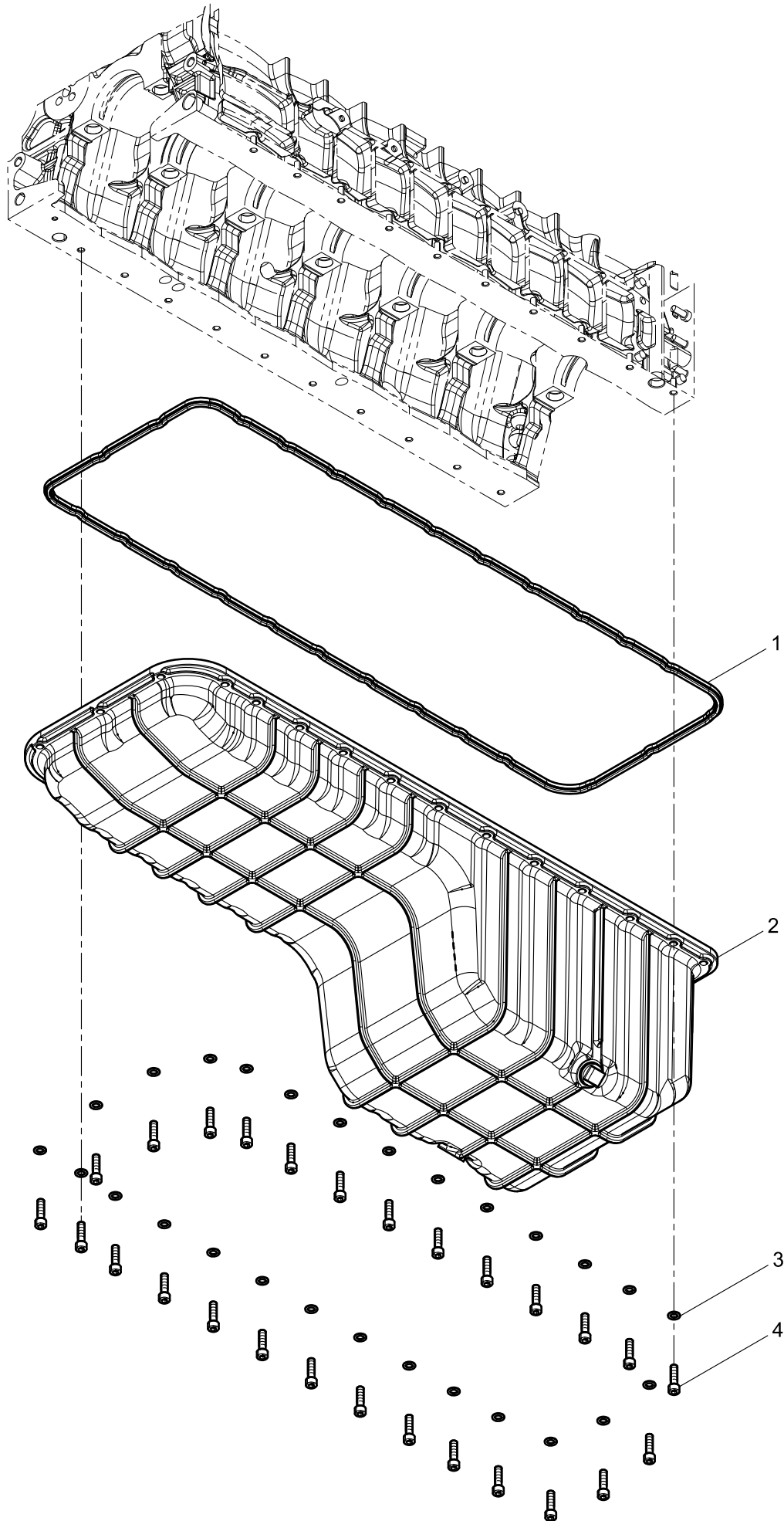


### Crankshaft Pulley Group



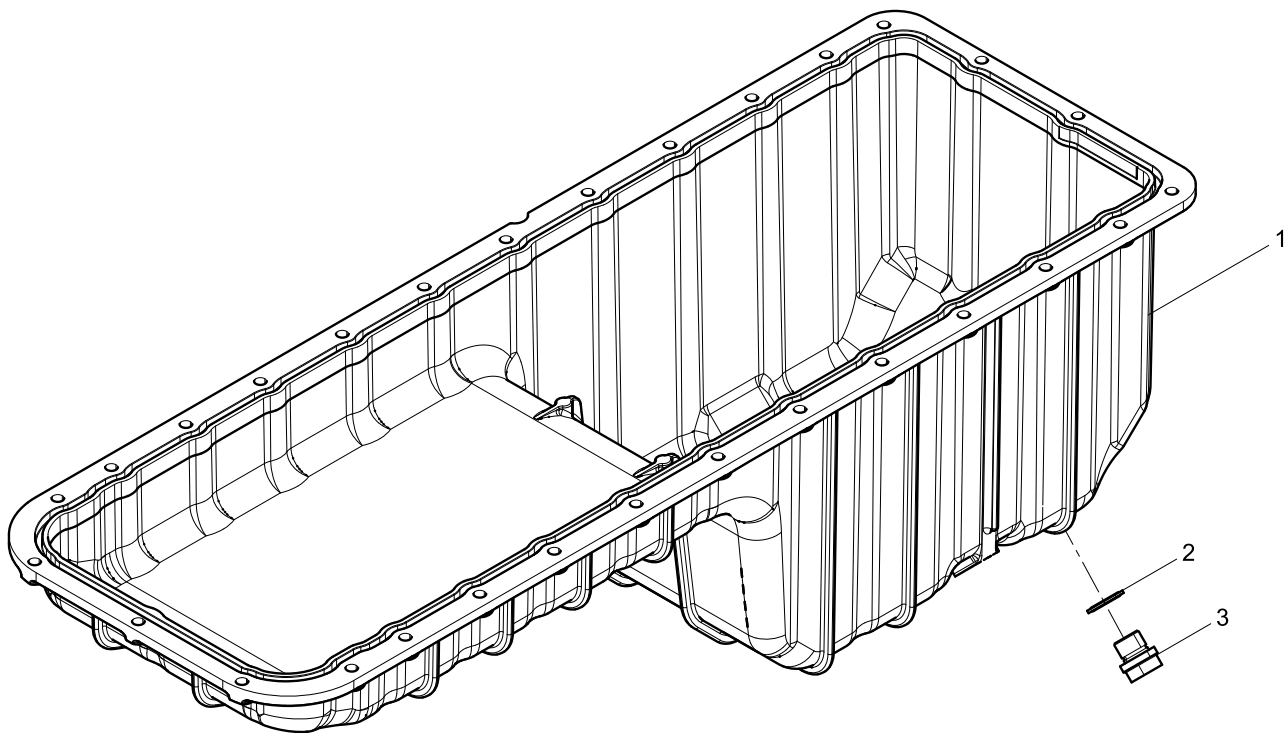


### Oil Pan Group



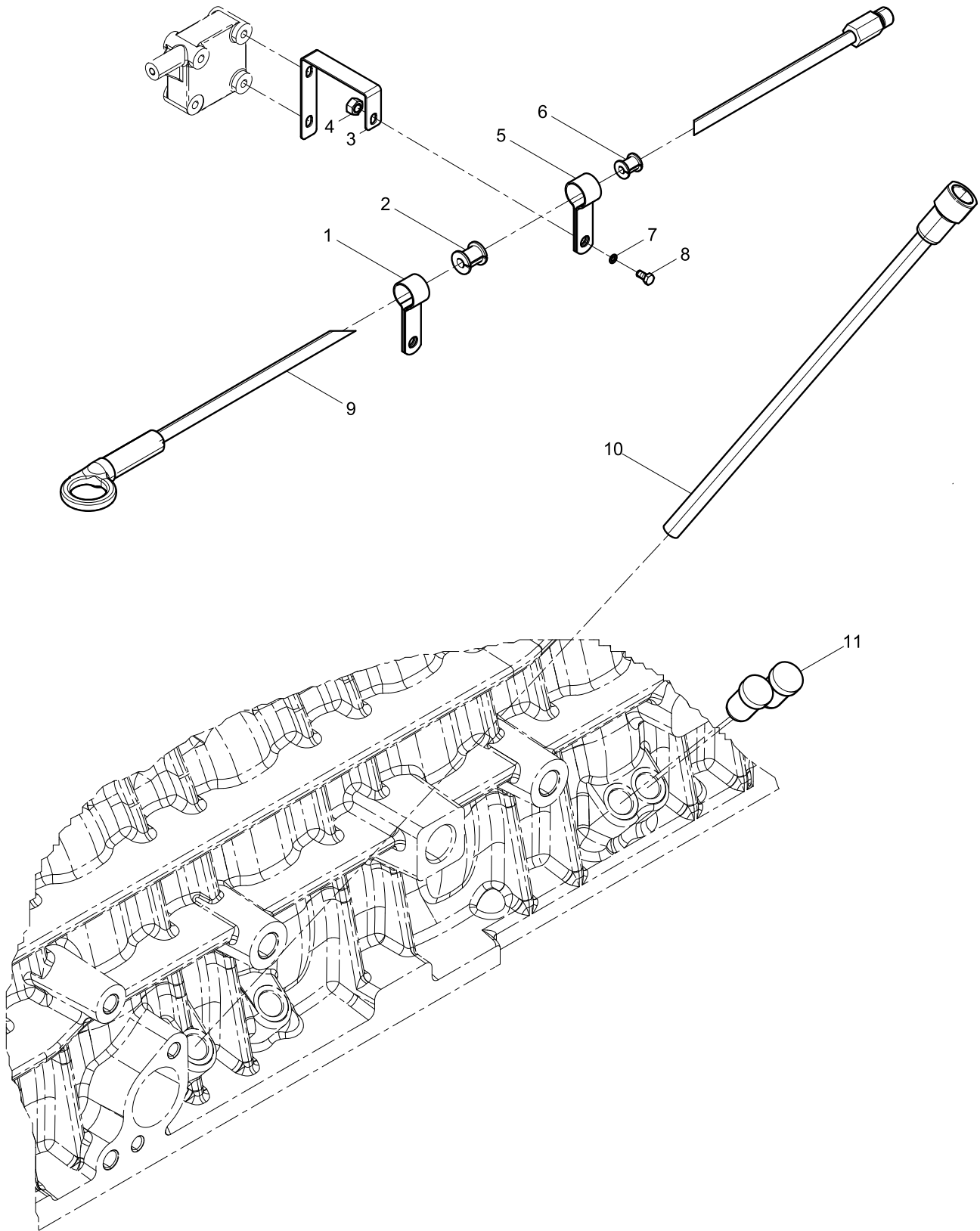


### Oil Pan Assembly





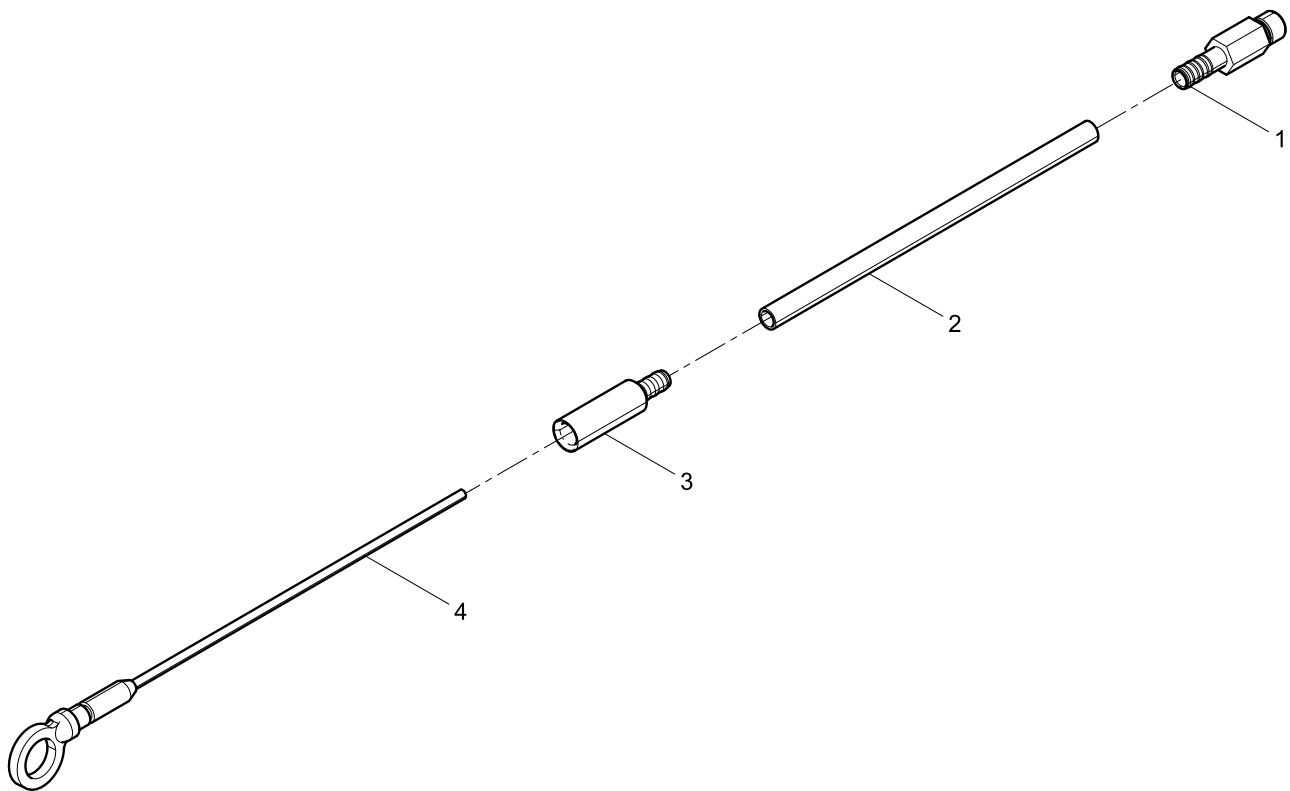
### Dipstick Group





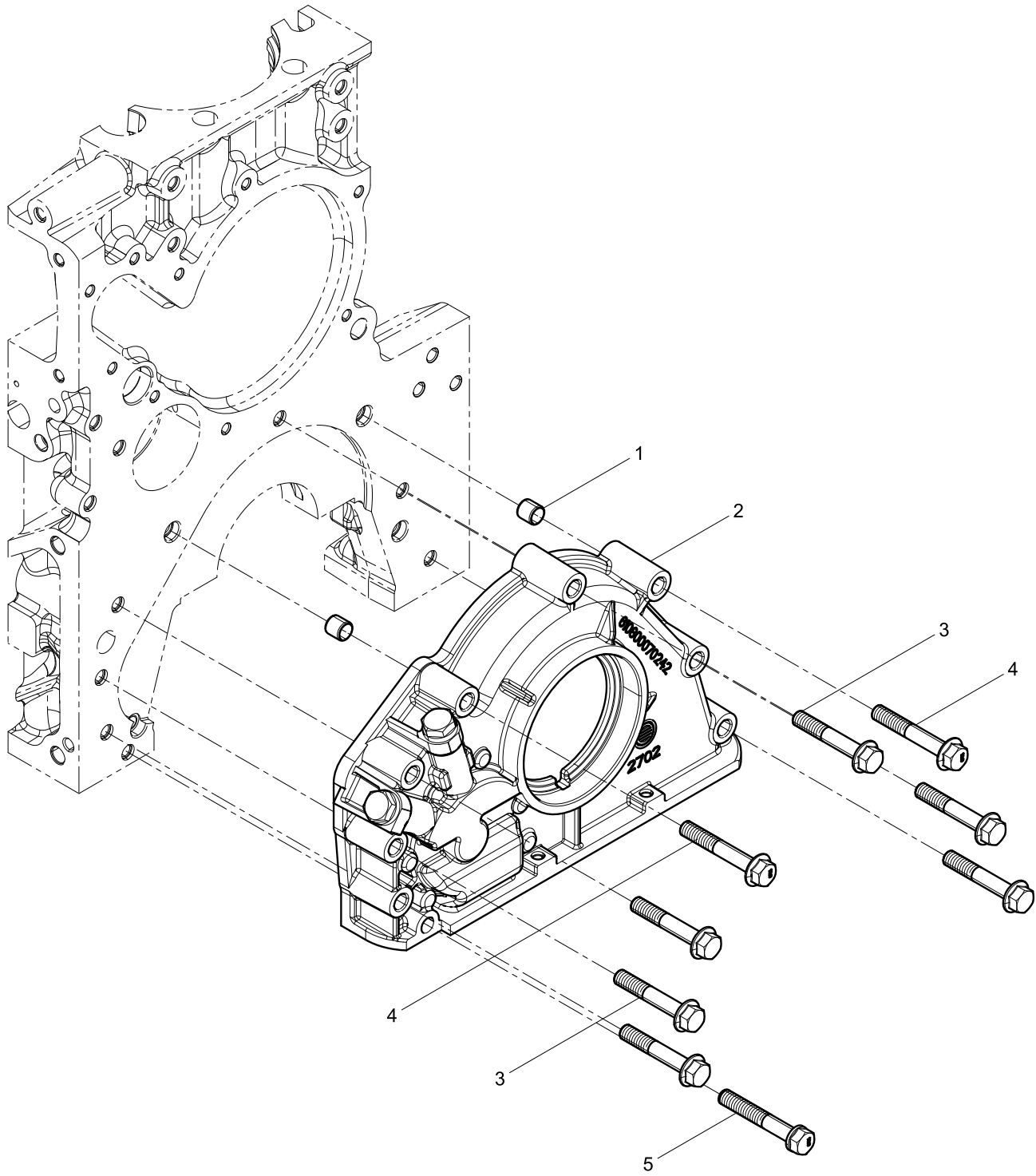


### Dipstick Assembly



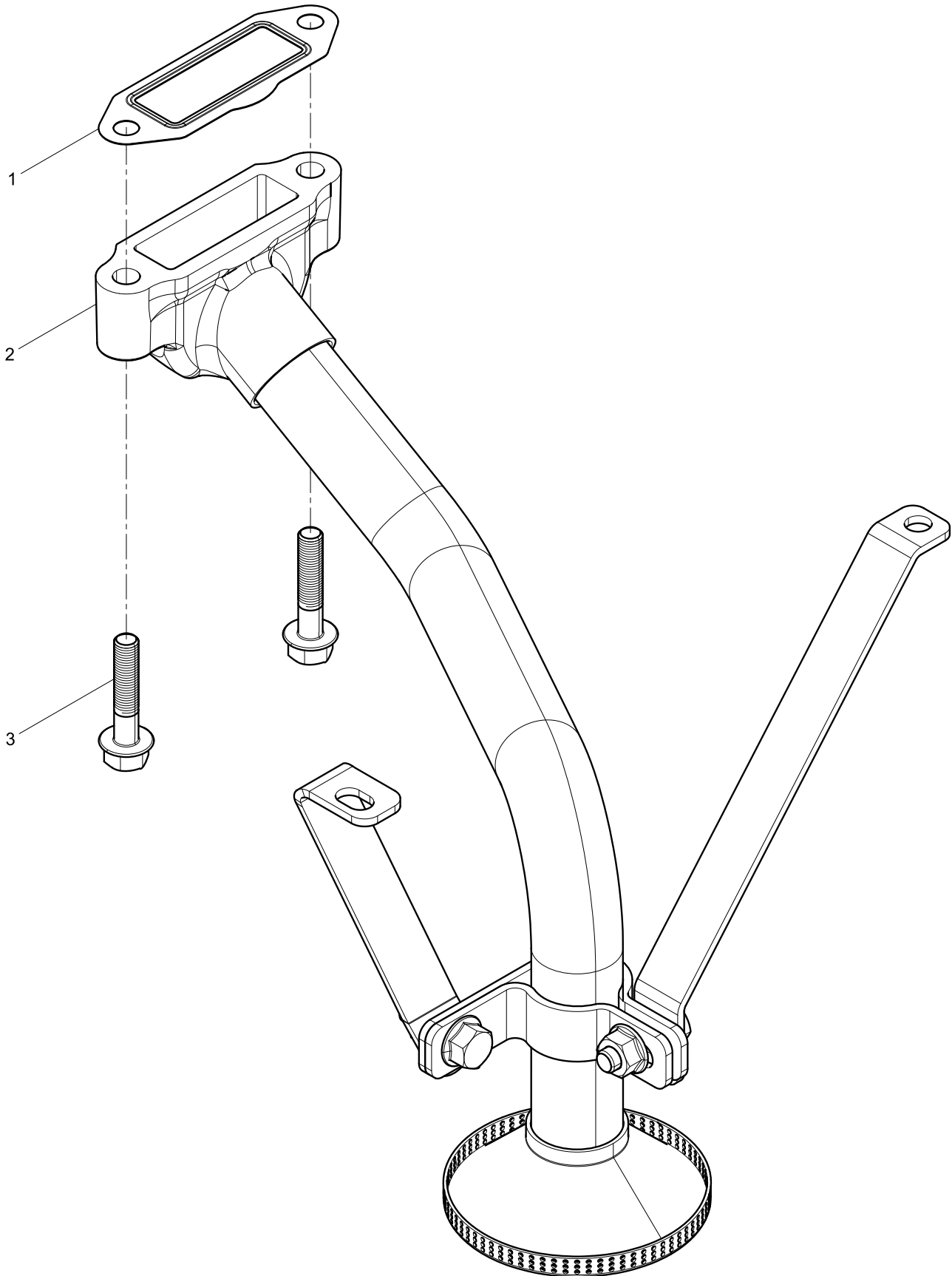


### Oil Pump Group



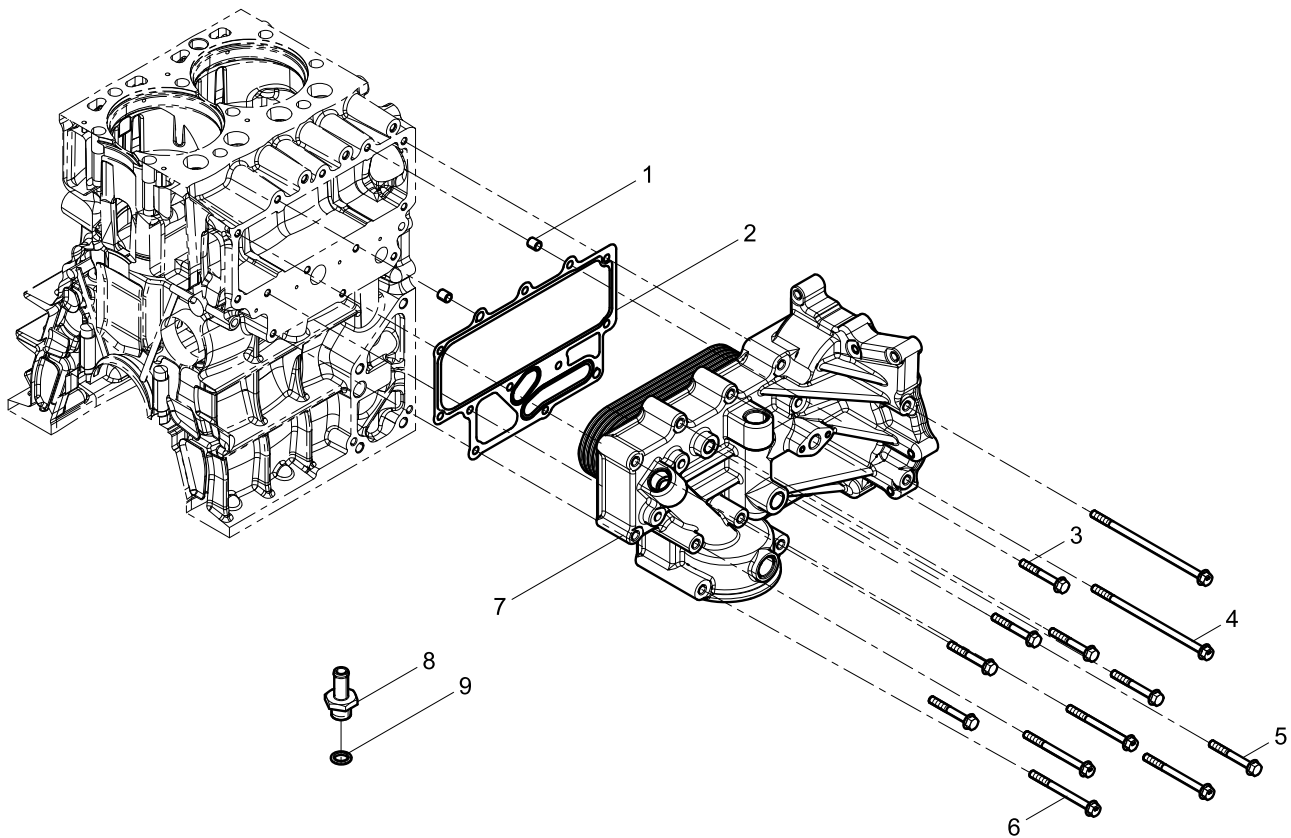


### Oil Strainer Group





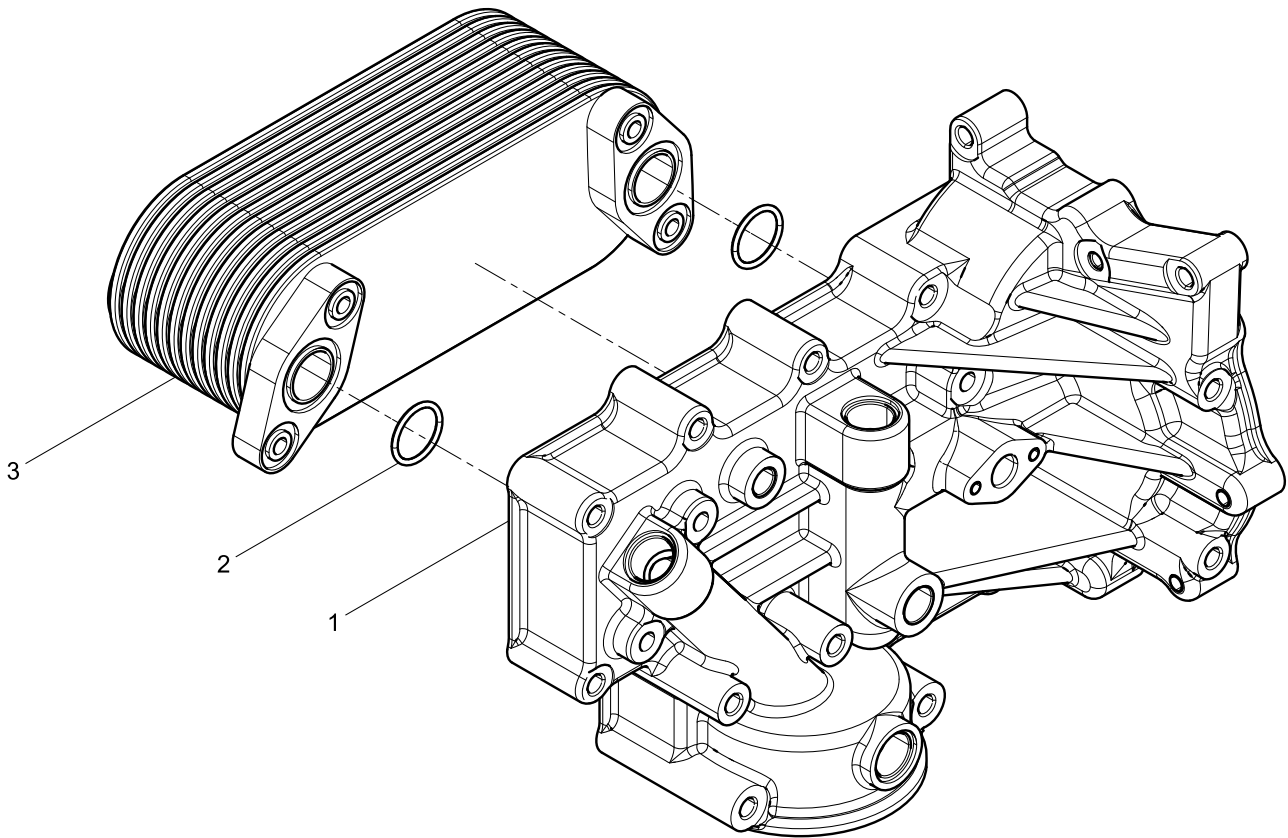
### Oil Cooler Group





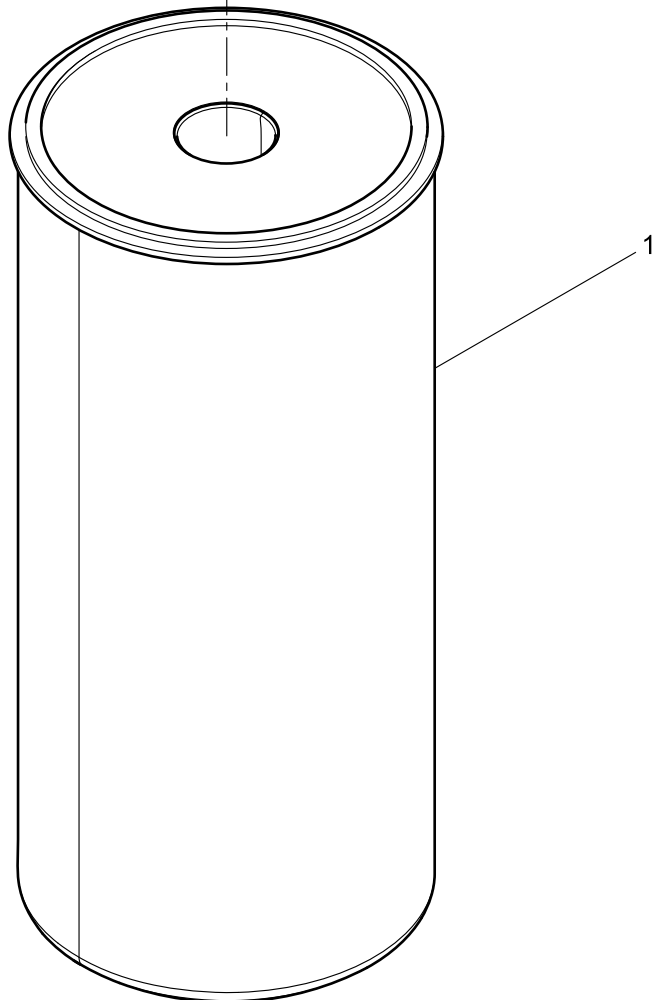
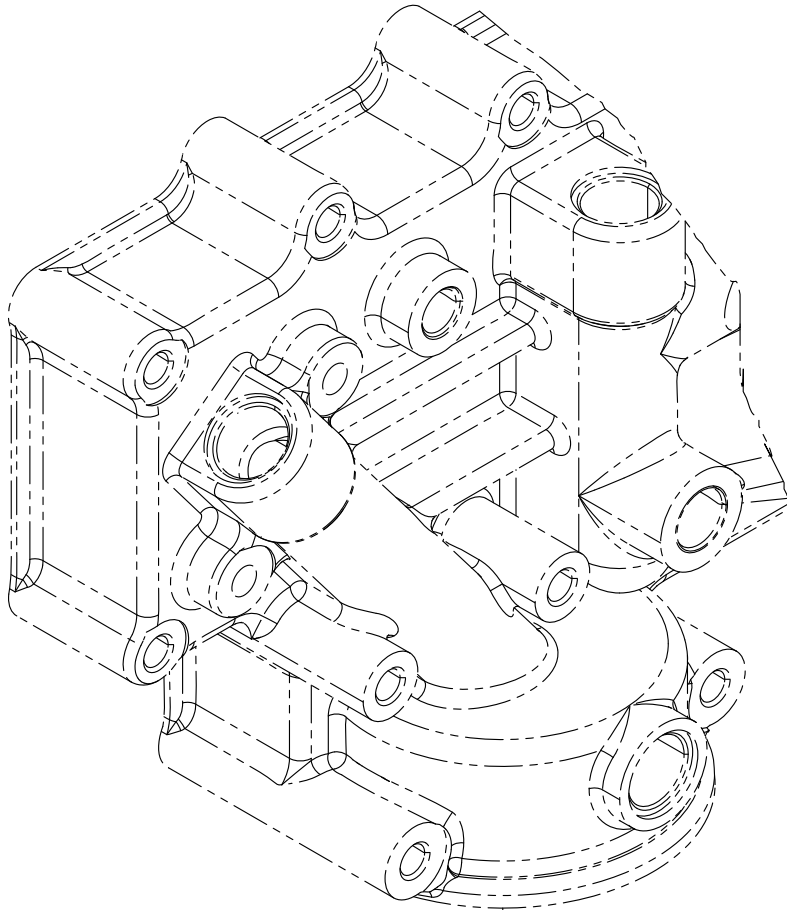


### Oil Cooler Assembly



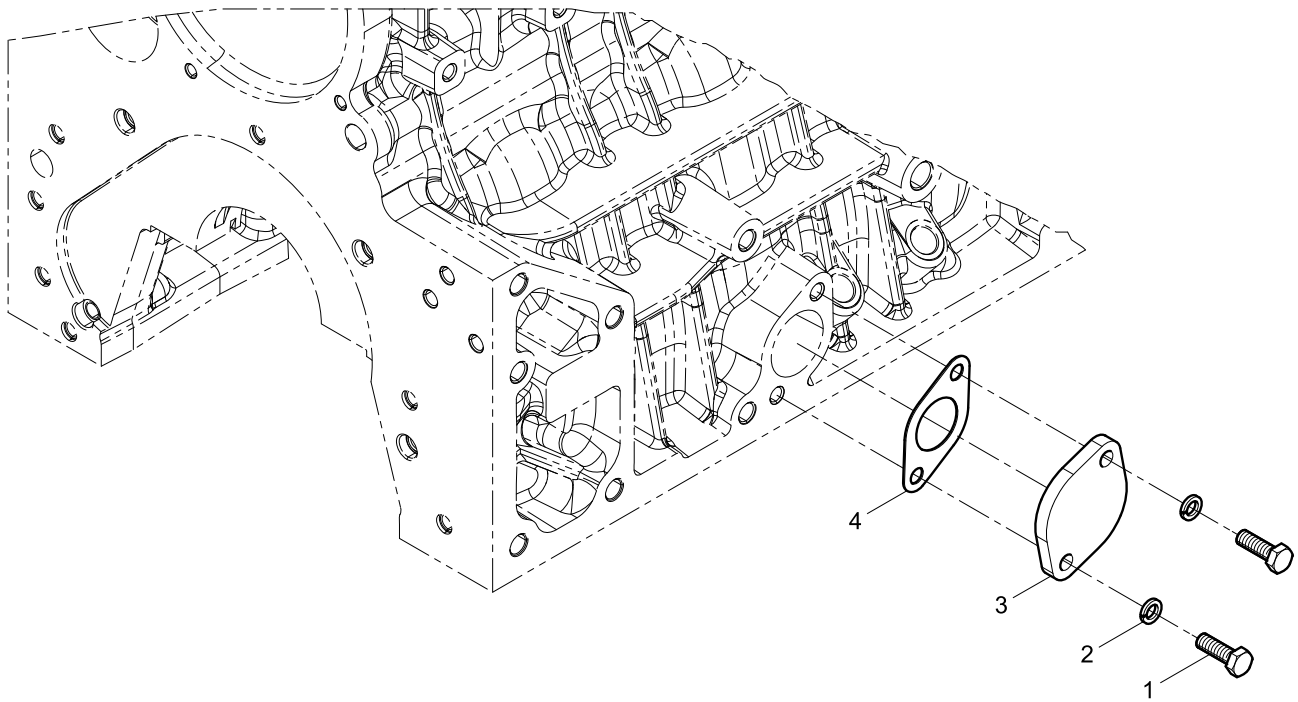


### Oil filter assembly



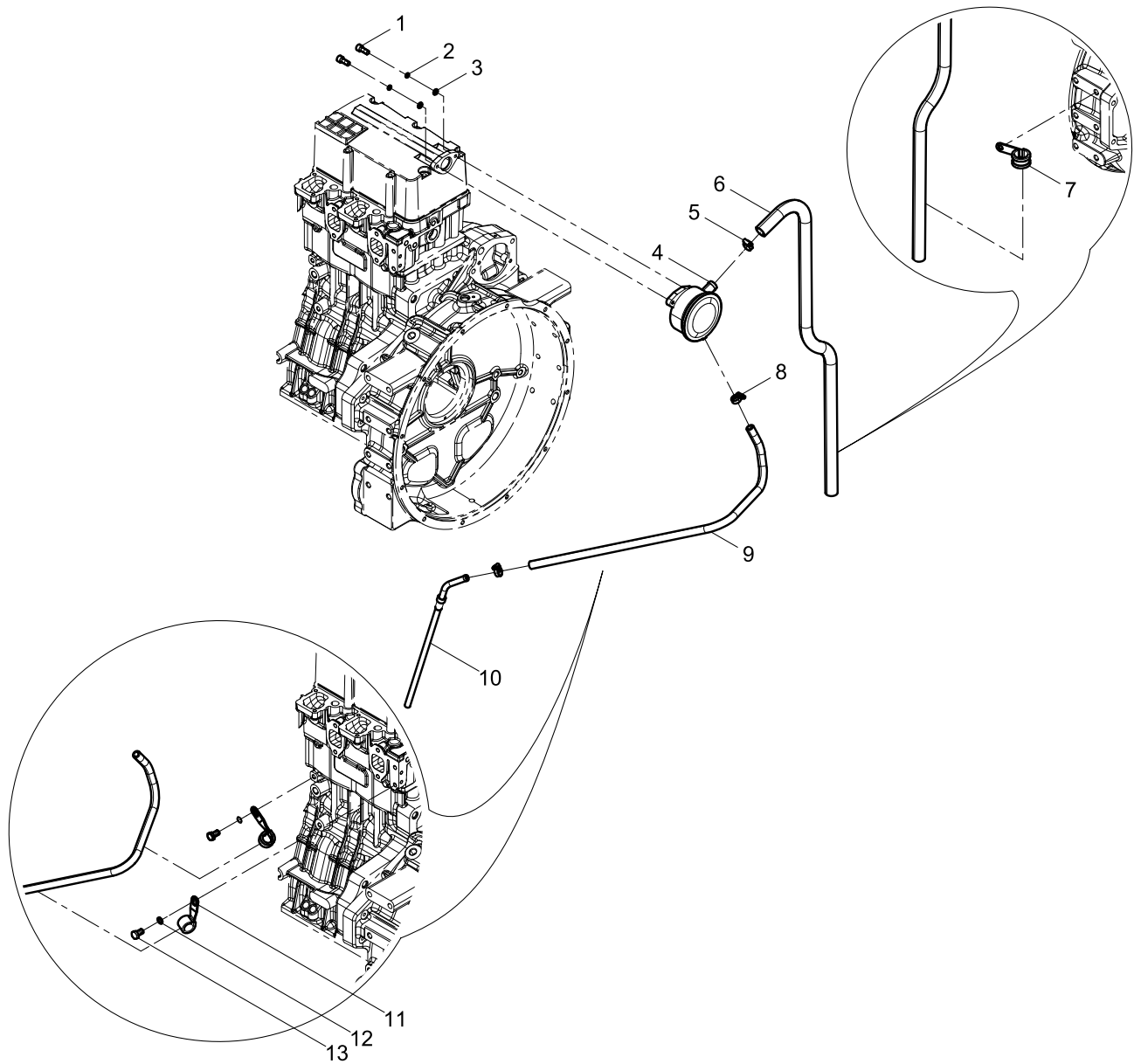


### Oil Filling Tube Group





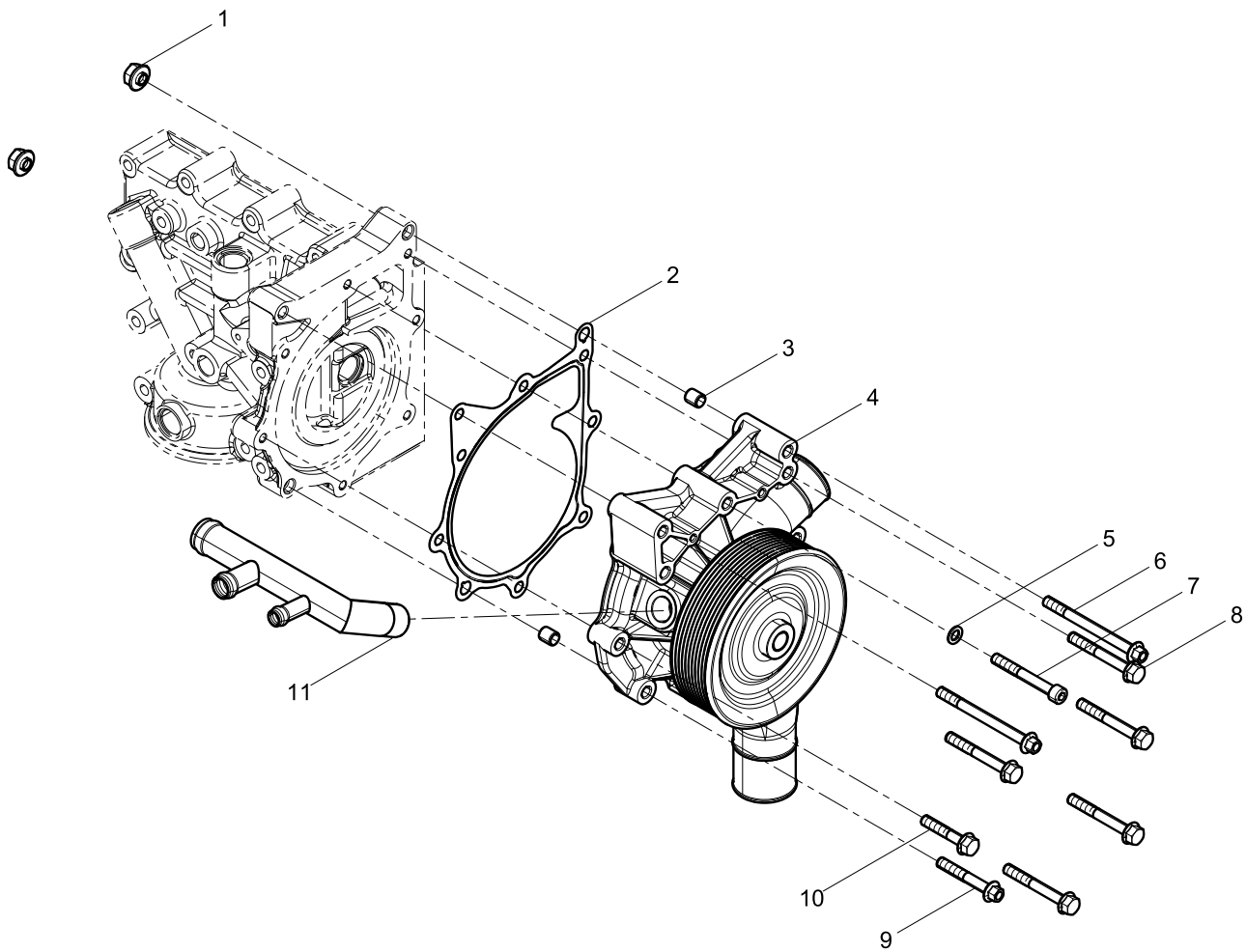
### Oil-gas Separator Group





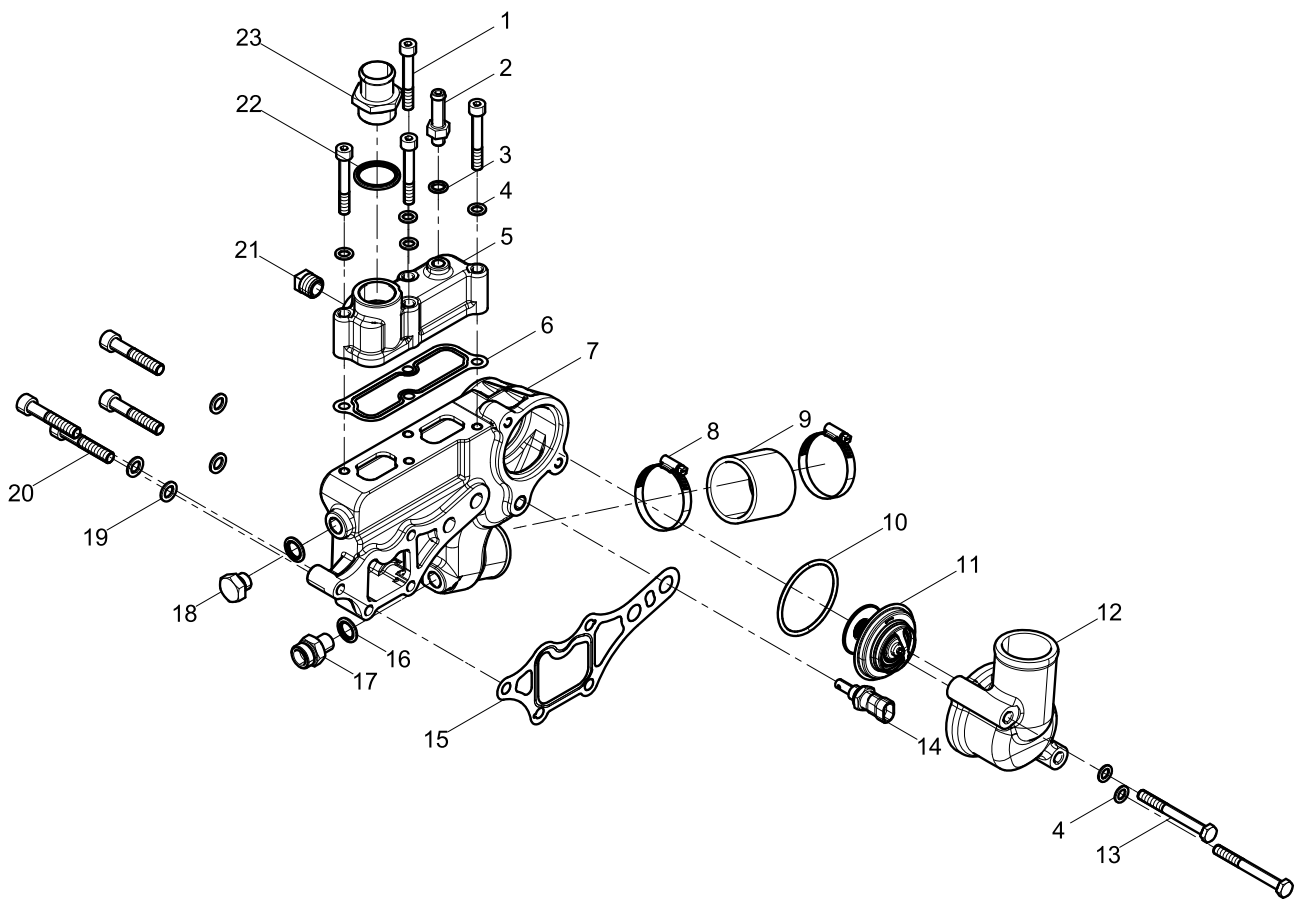


### Water Pump Group





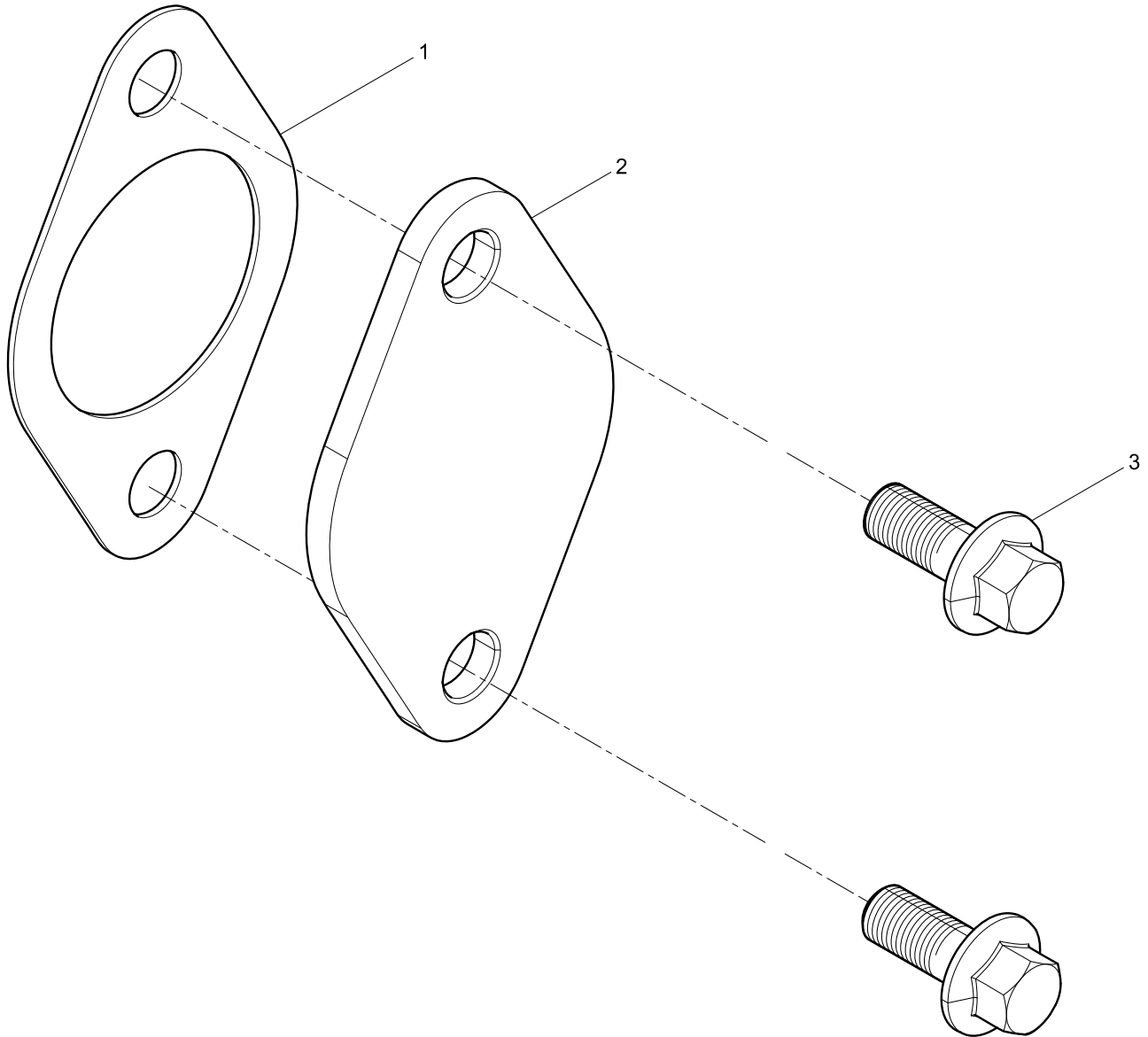
### Water Outlet Pipe Group



**Water Outlet Pipe Group**

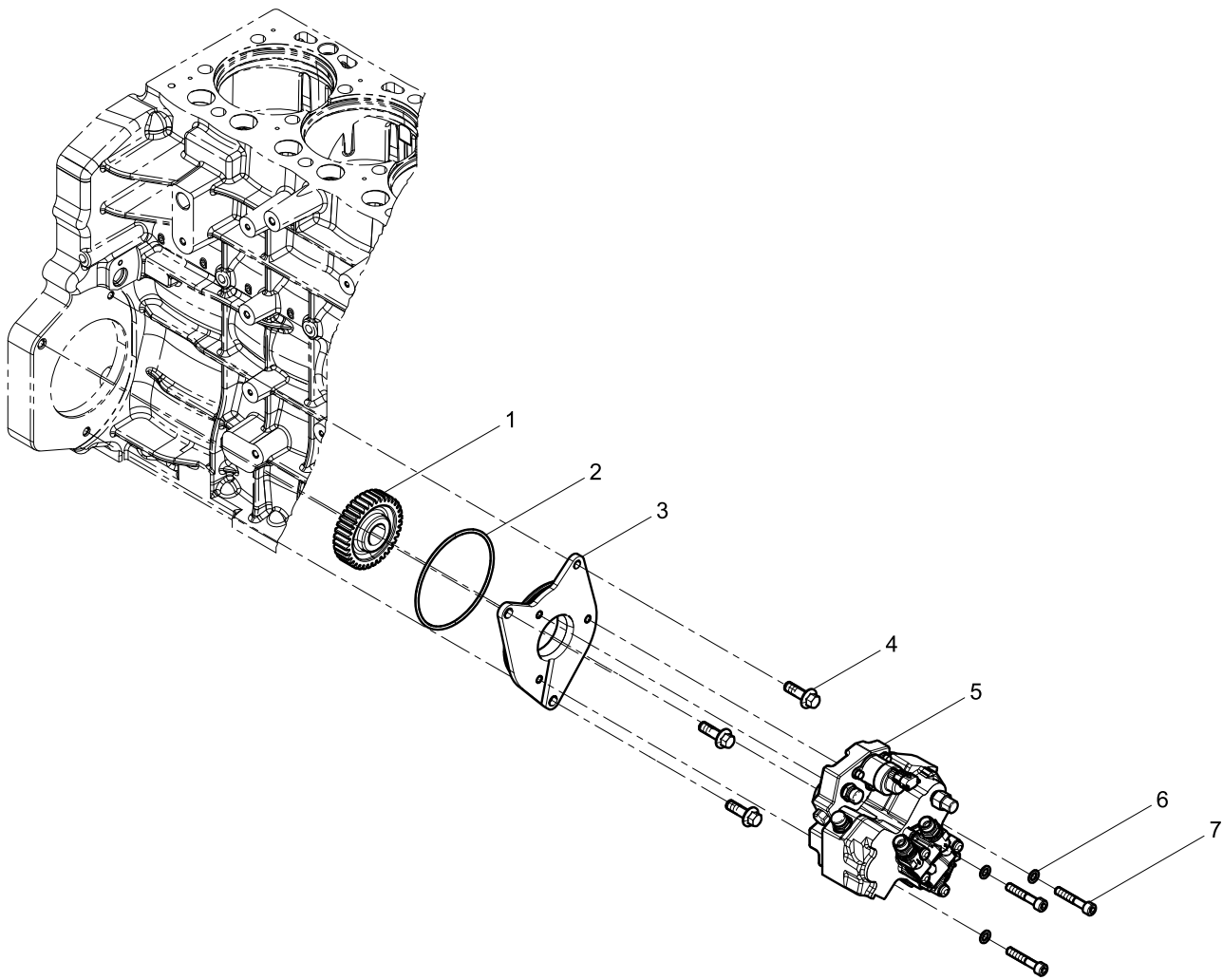
Pos.	Teile.Number	Amount	Designation
1	90003862456	4	Inner Hexagon Socket Head Cap Screw
2	610800060333	1	Conversion Adapter
3	610800060191	1	Gasket
4	90003932023	10	Wave Spring Washer
5	610800060280	1	Plug
6	610800060123	1	Pipe Joint
7	610800060217	1	Water-outlet Pipe
8	90003989308	2	Clamp
9	610800060198	1	Coolant Connecting Rubber Pipe
10	680340065	1	Seal Ring
11	61800060172	1	Internal Thermostat
12	610800060346	1	Thermostat Cover
13	90003800467	2	Hexagon Head Bolt
14	612630060035	1	Temperature Sensor
15	610800060196	1	Water-outlet pipe gasket
16	13023360	1	Assembled Sealing Washer
17	1001047552	1	Water Pipe Connector
18	9000000483	1	Hexagon Taper Screw Plug
19	13057039	1	Assembled Sealing Washer
20	90013550012	4	Inner Hexagon Socket Head Cap Screw
21	1000964214	1	Water Pipe Connector
22	1000858439	1	Assembled Sealing Washer
23	610800060573	1	Pipe Joint

### Rotating Centrifugal Lubricating Oil Filter group





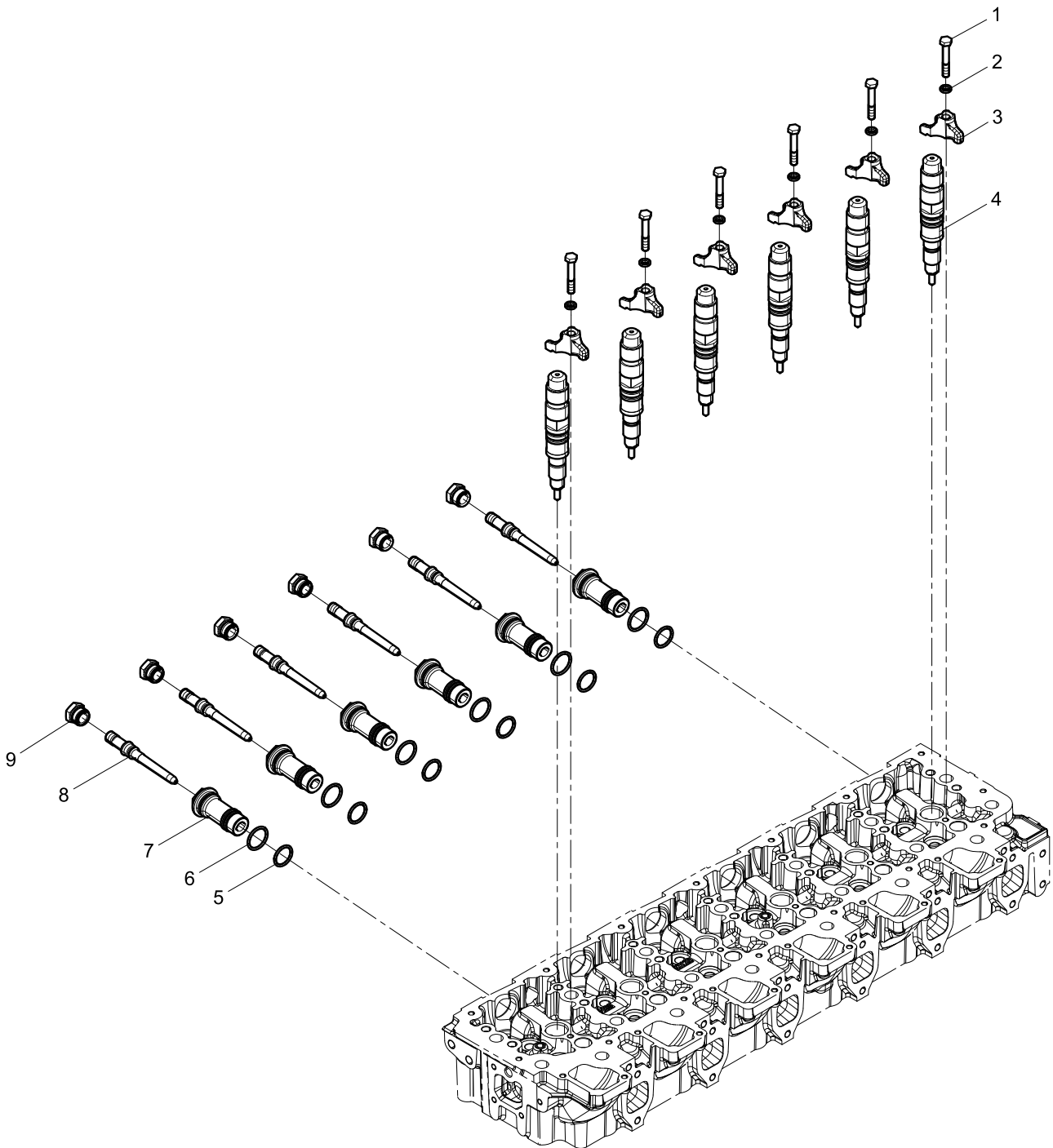
### High Pressure Pump Group





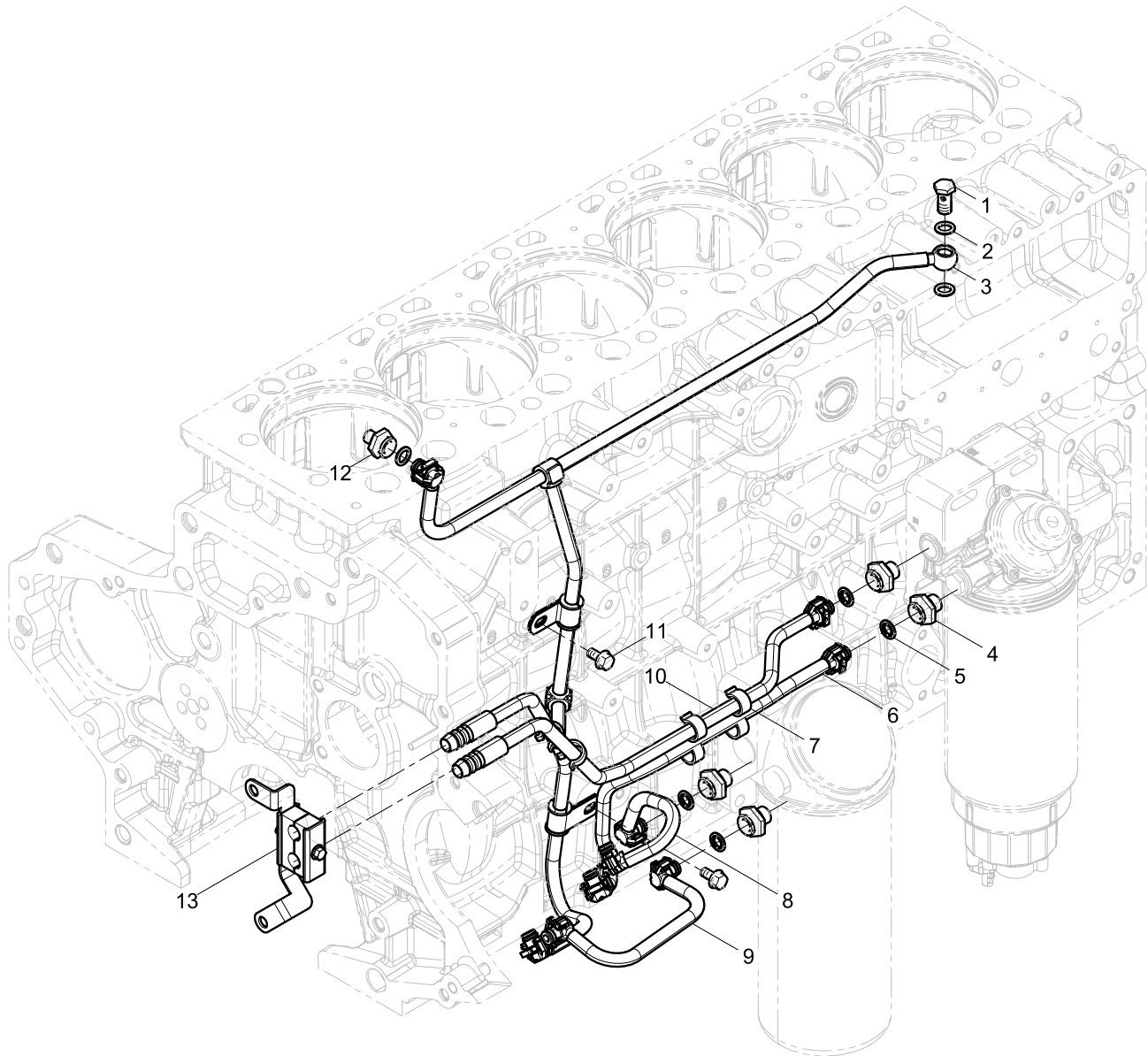


### Fuel Injector Group



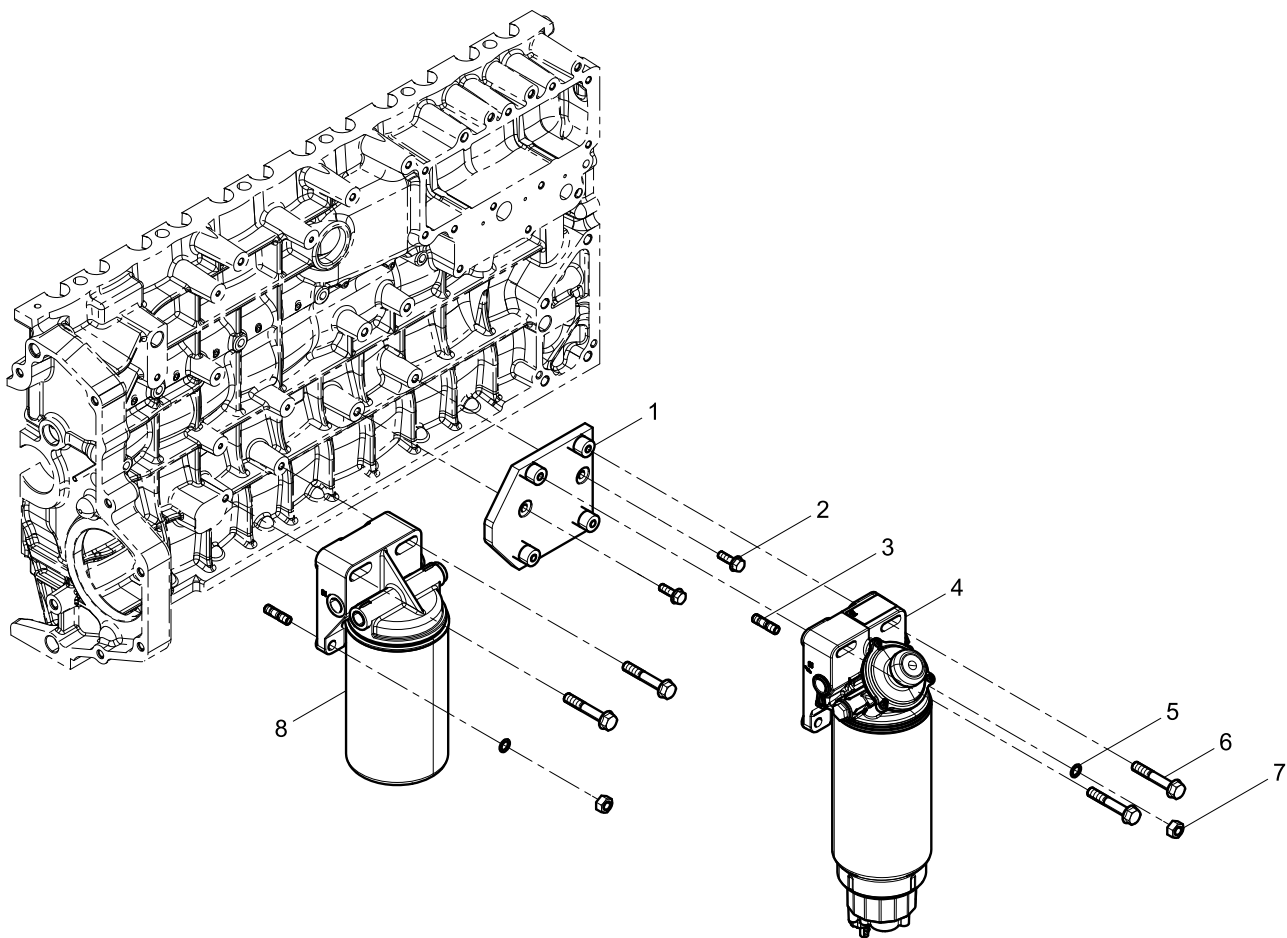


### Low Pressure Fuel Pipe Group



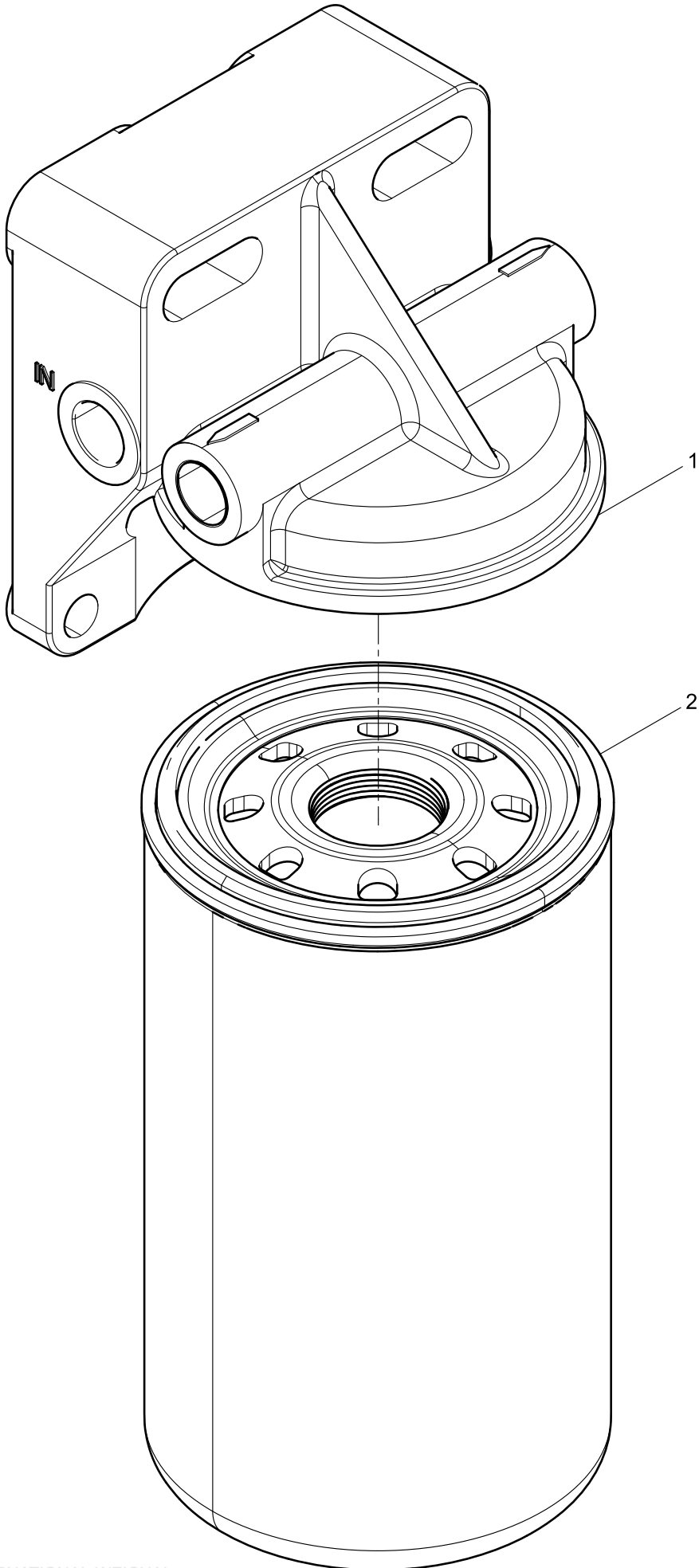


### Fuel Filter Group





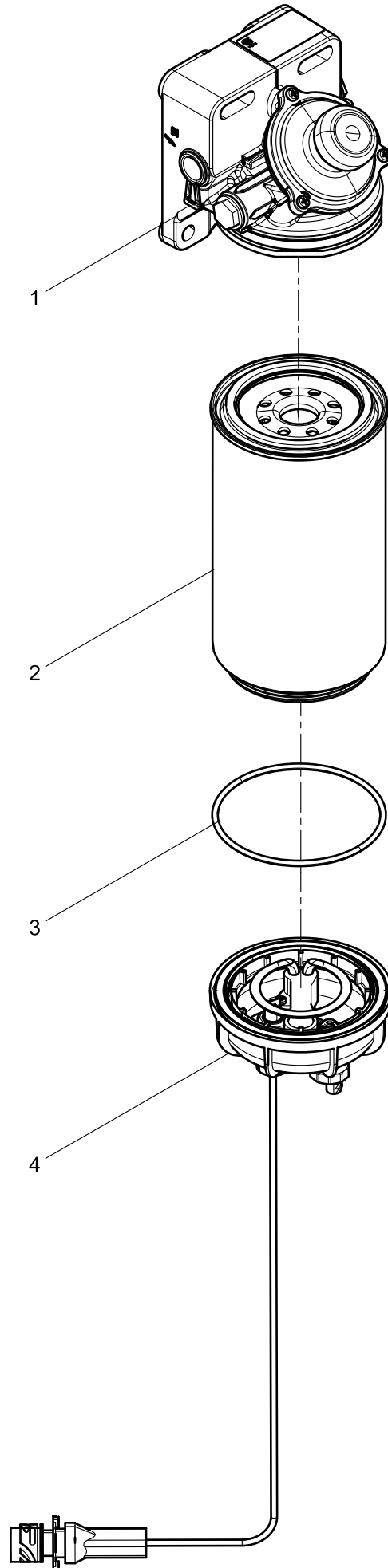
### Fuel Fine Filter





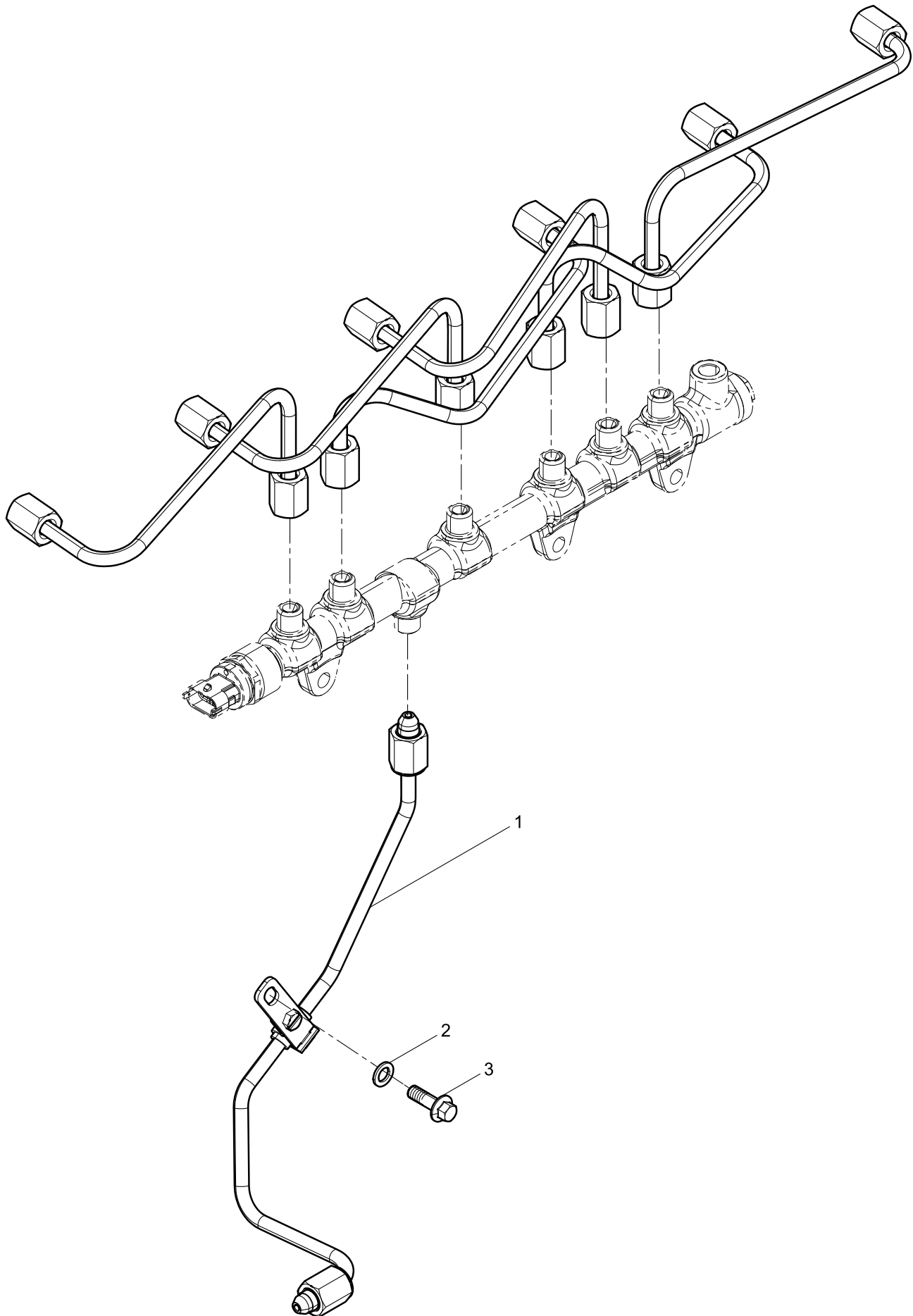


### Fuel Coarse Filter



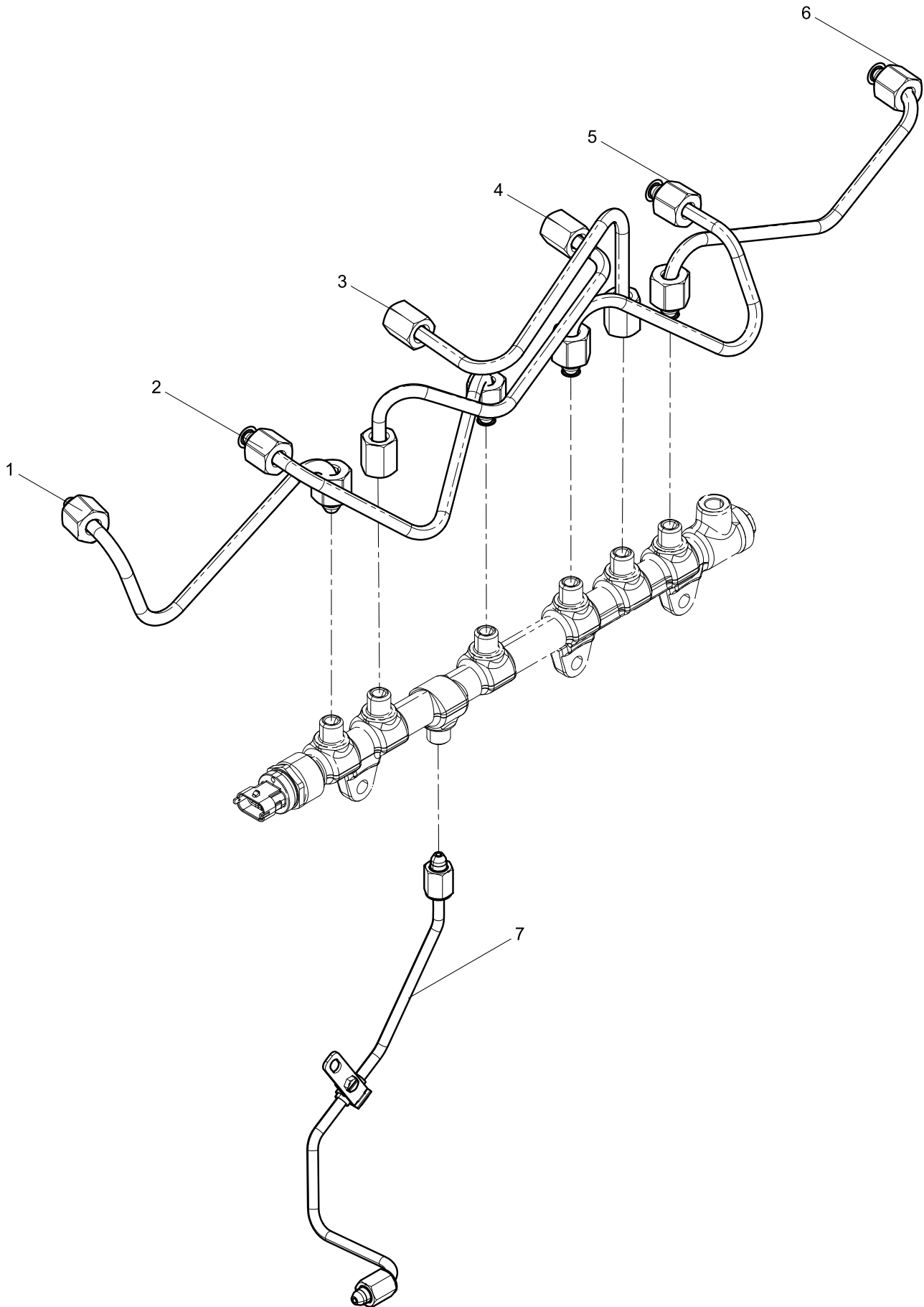


### High Pressure Fuel Pipe Group



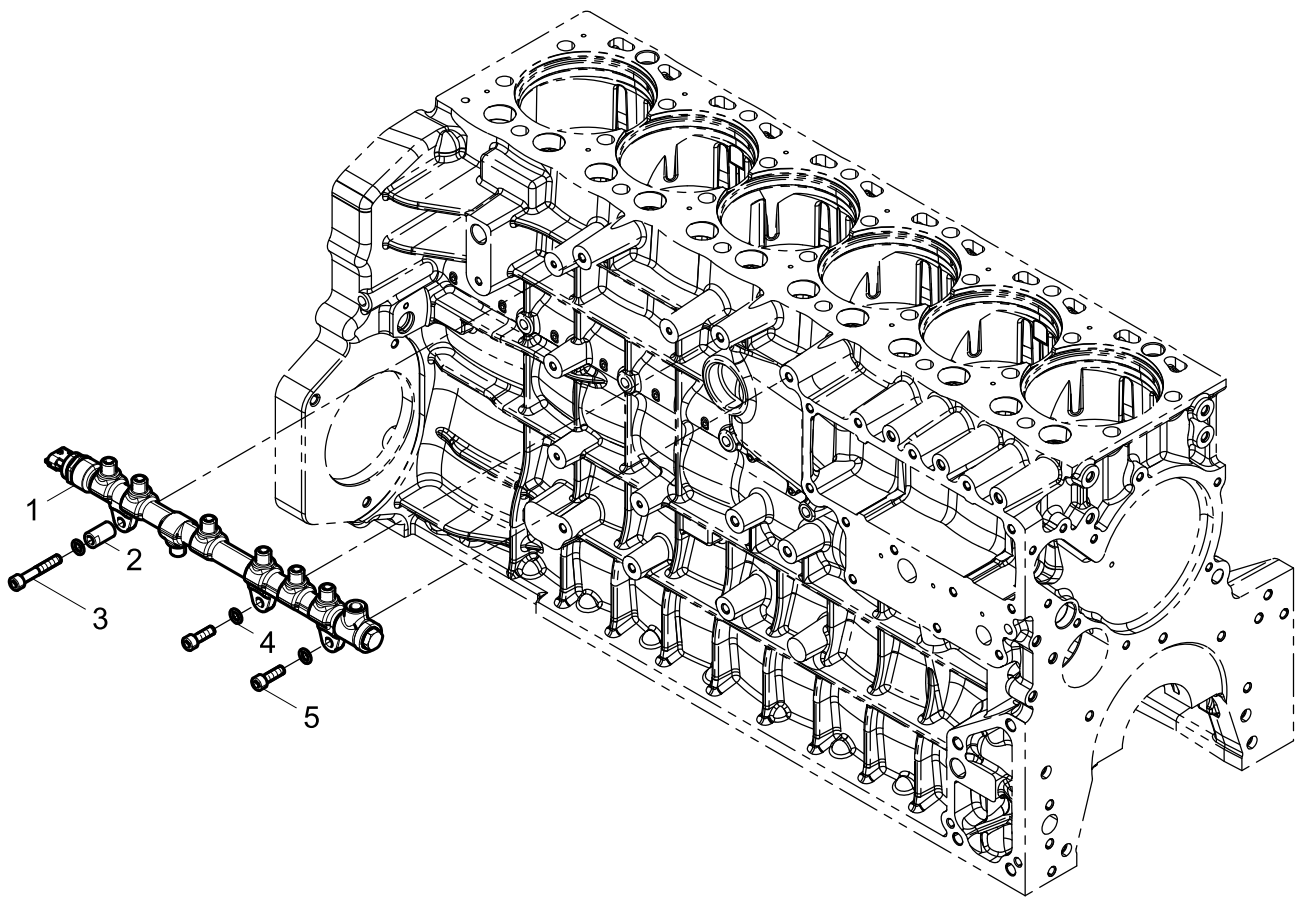


### High-pressure Fuel Pipe Assembly





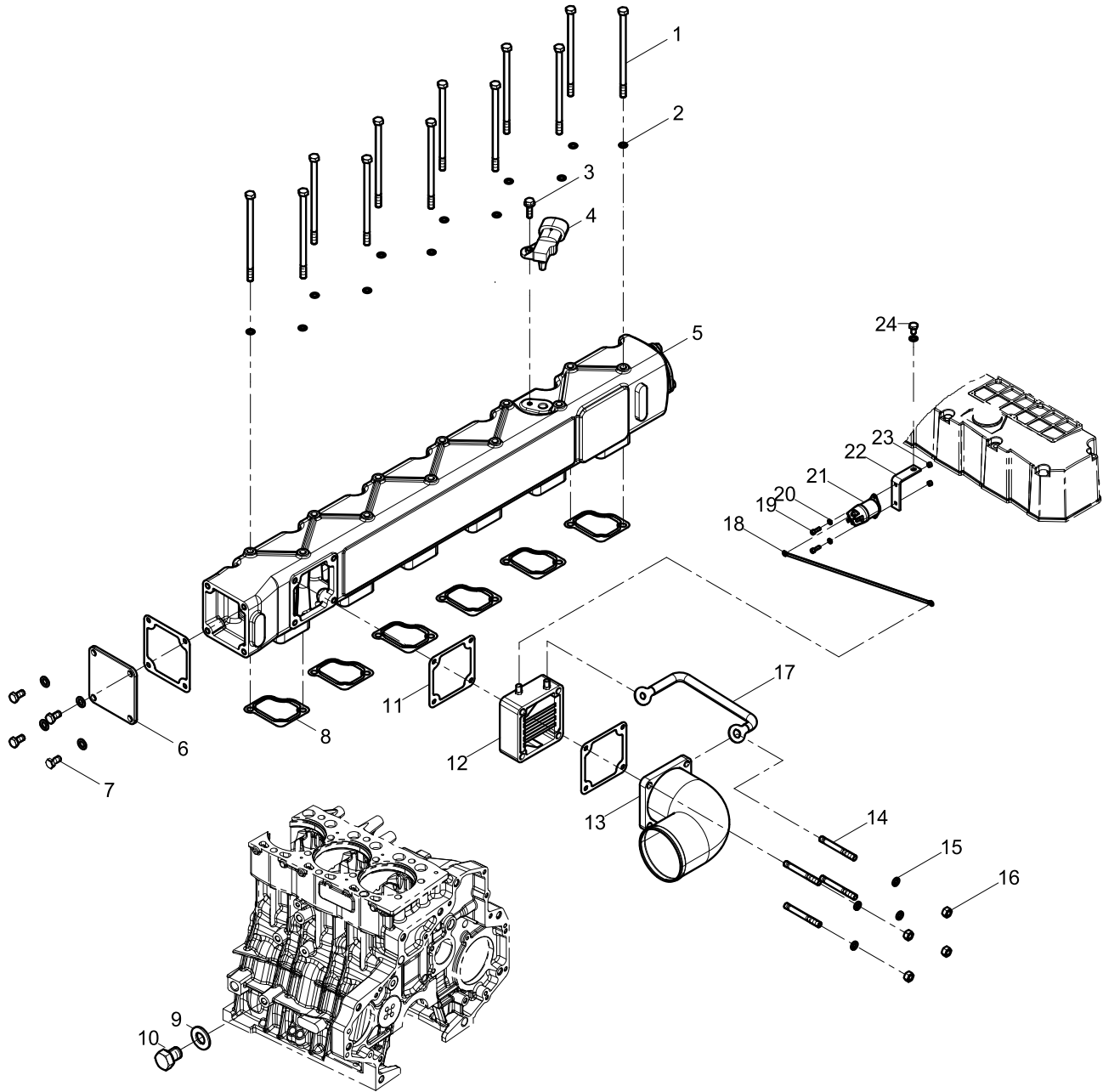
### Common Rail Group







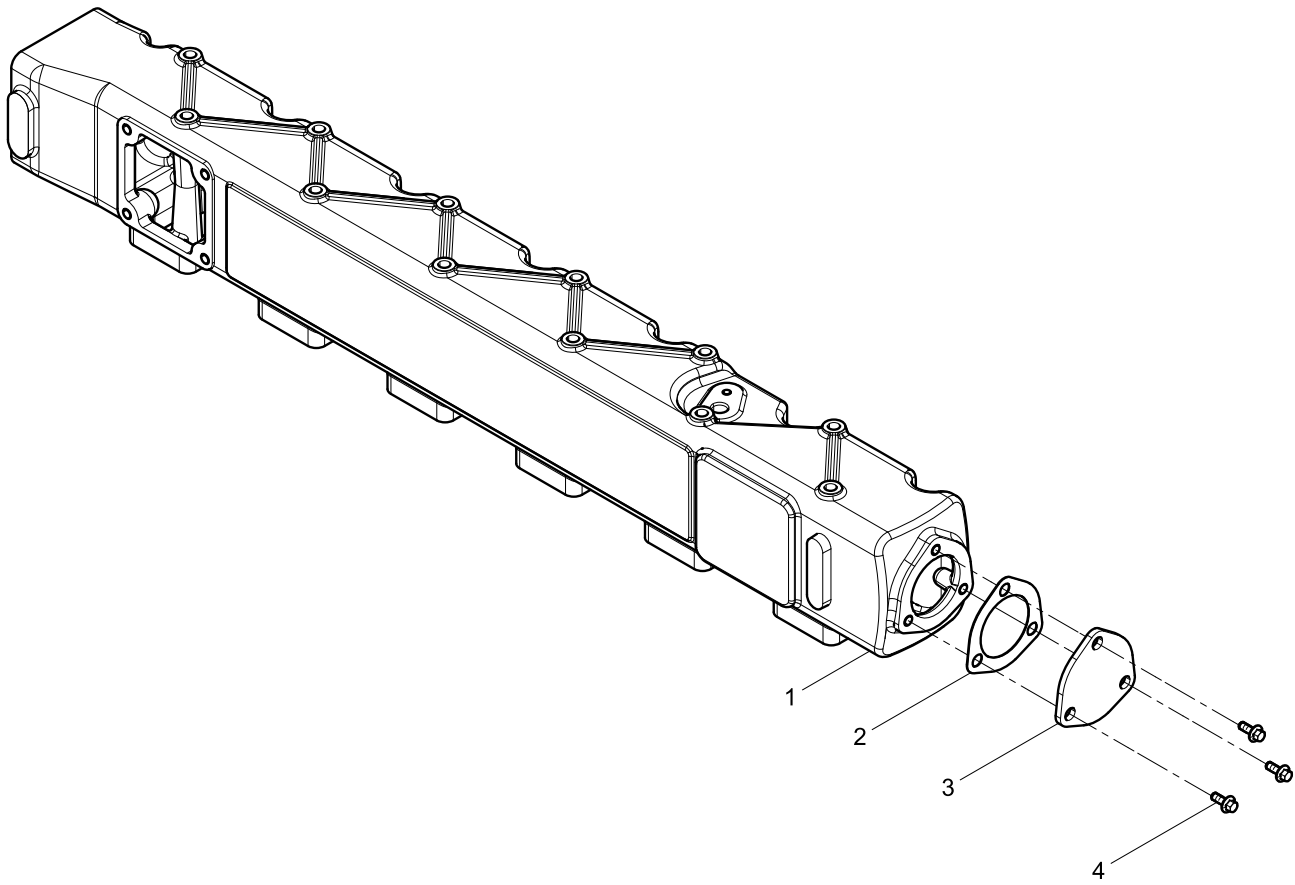
### Intake Manifold Group



**Intake Manifold Group**

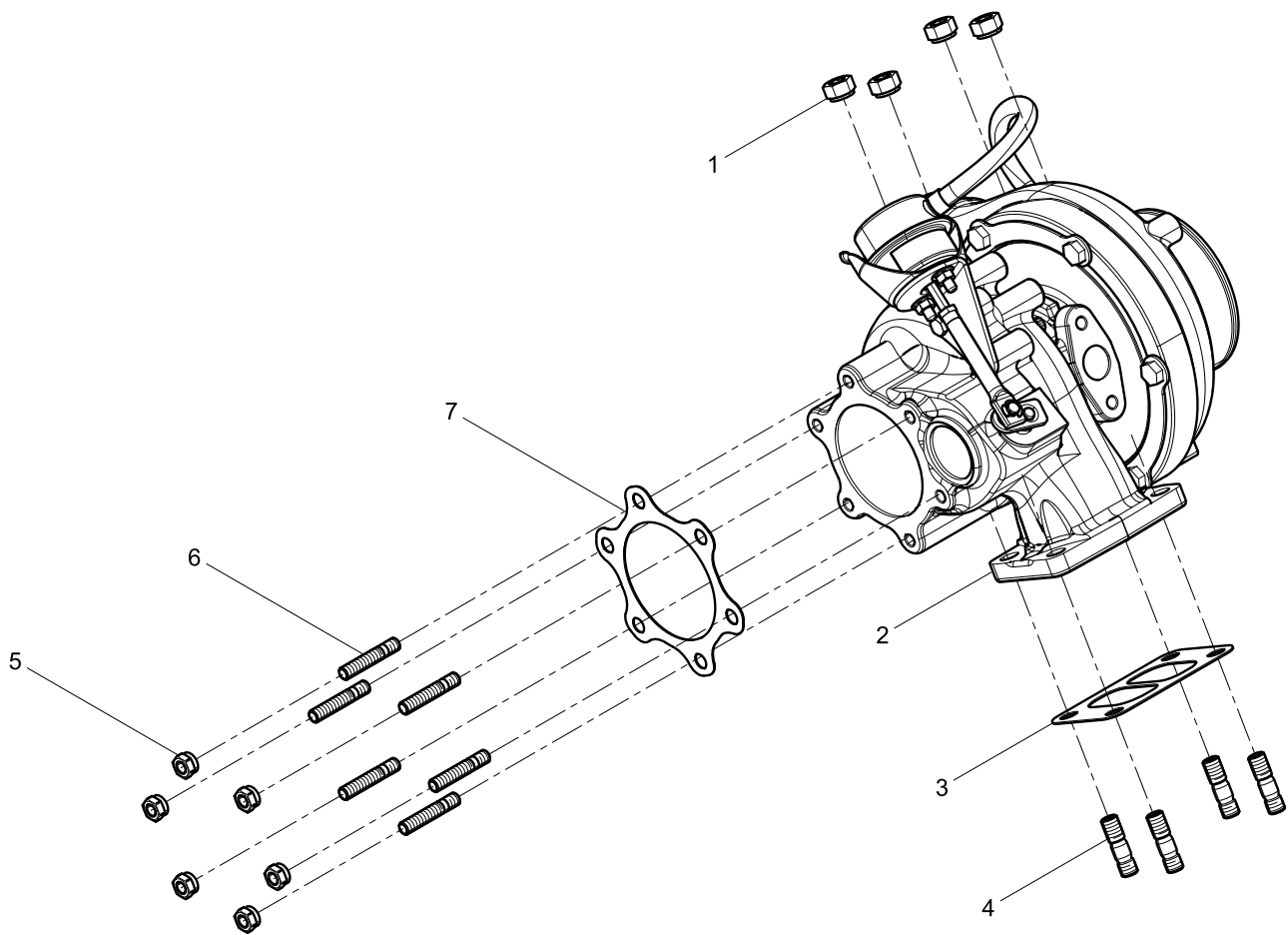
Pos.	Teile.Number	Amount	Designation
1	614110064	12	Intake Manifold Bolt
2	90003932023	17	Wave Spring Washer
3	612639000004	1	Hexagon Head Bolt
4	612630120004	1	Pressure and Temperature Sensor
5	610800110235	1	Intake Manifold Assembly
6	610800110184	1	Intake Cover
7	90003802415	4	Hexagon Head Bolt
8	610800110554	6	Intake Manifold Gasket
9	612600012629	1	Gasket
10	612600012631	1	Hexagon Head Bolt
11	612630120002	3	Gasket
12	612630120003	1	Heater
13	1001378644	1	
14	90003813470	4	Double End Stud
15	90003931102	4	Spring Washer
16	90003871252	4	Hexagon Nuts, Style 1
17	1001044693	1	
18	612630080522	1	Glow plug harness
19	90013050033	2	Inner Hexagon Socket Head Cap Screw
20	90014350002	2	Spring Washer
21	612630080076	1	Relay
22	610800110125	1	Bracket
23	90003871222	2	Hexagon Nuts, Style 1
24	90003802402	1	Hexagon Head Bolt

### Intake Manifold Assembly



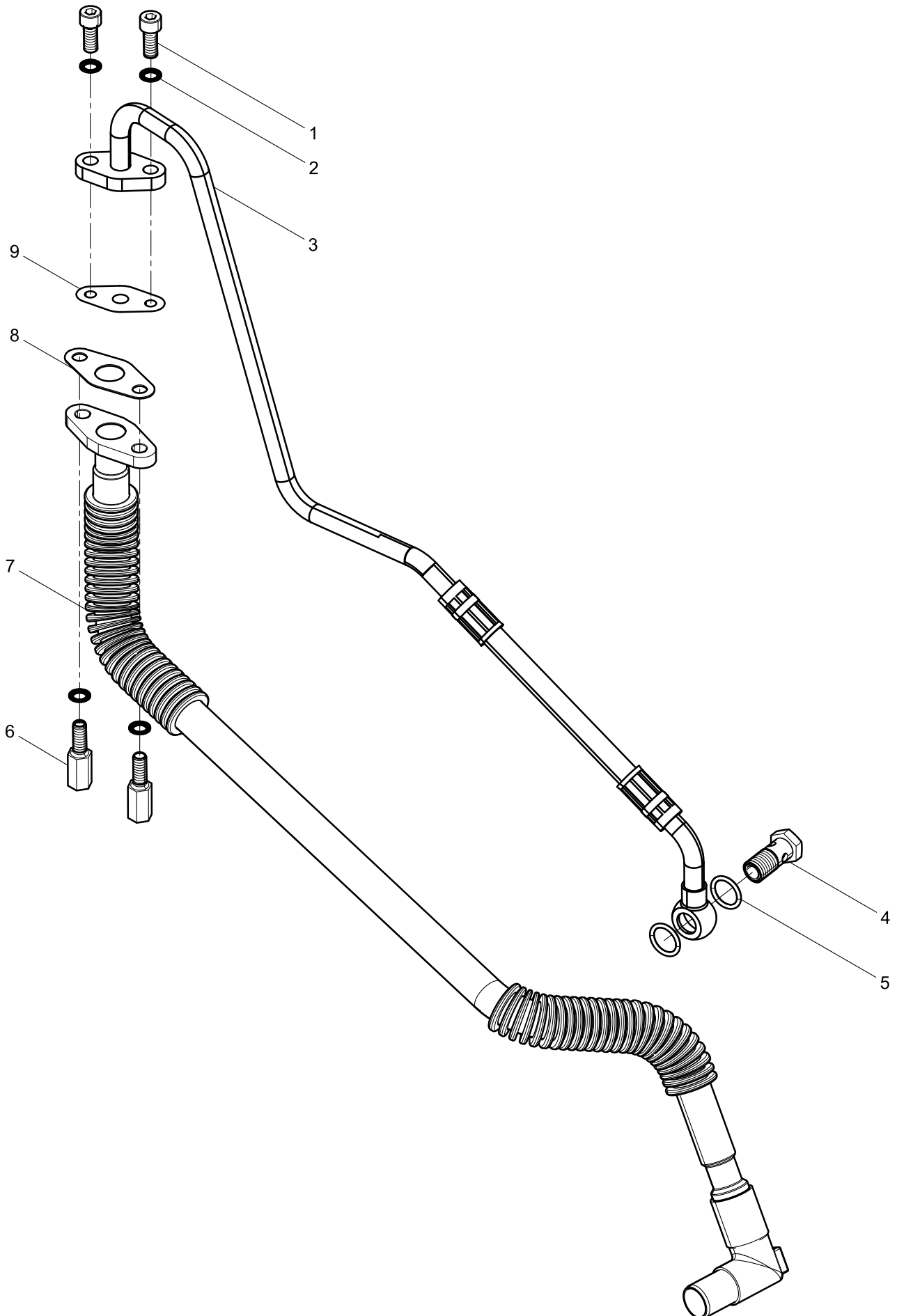


### Turbocharger Group





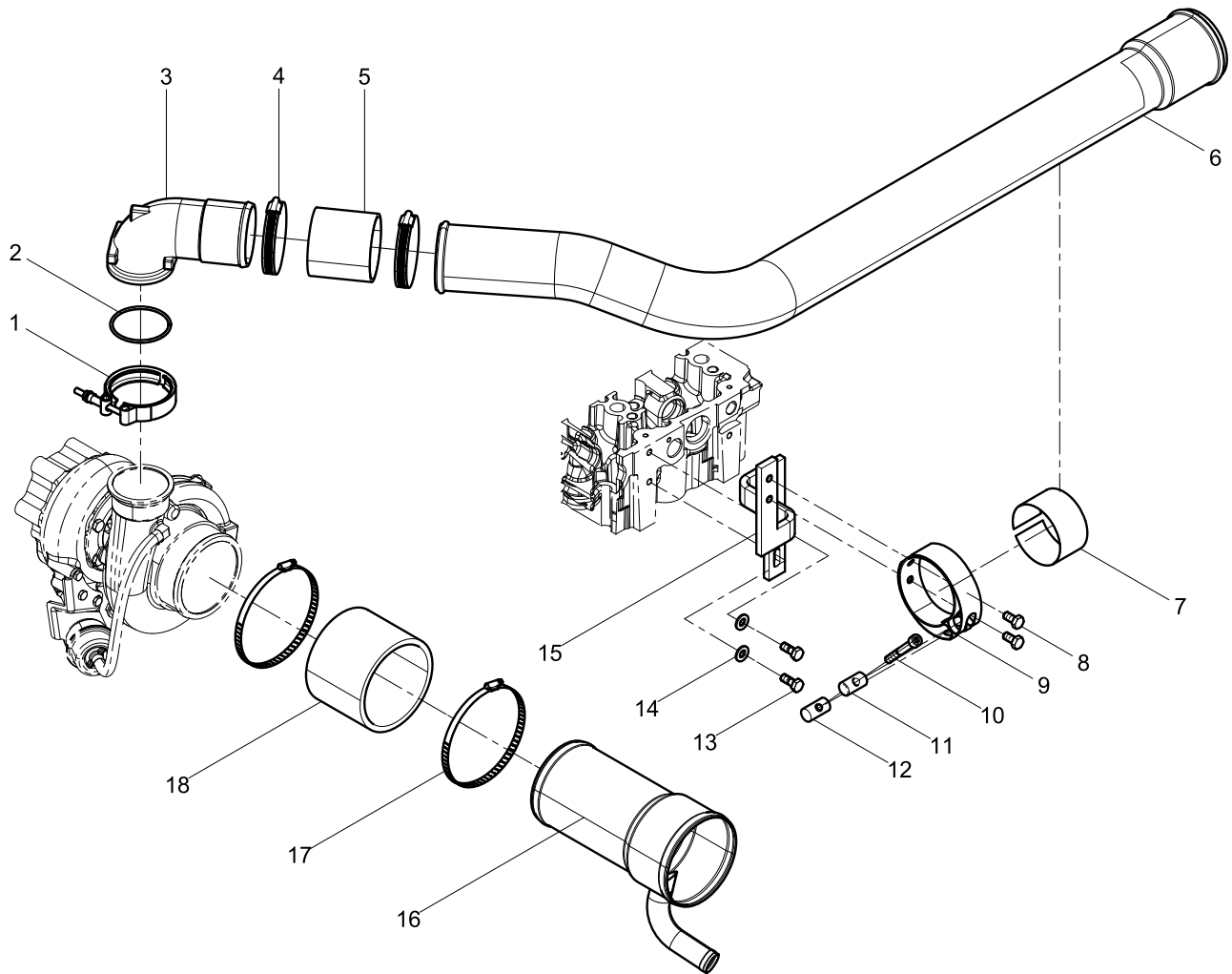
### Turbocharger Oil Pipe Group





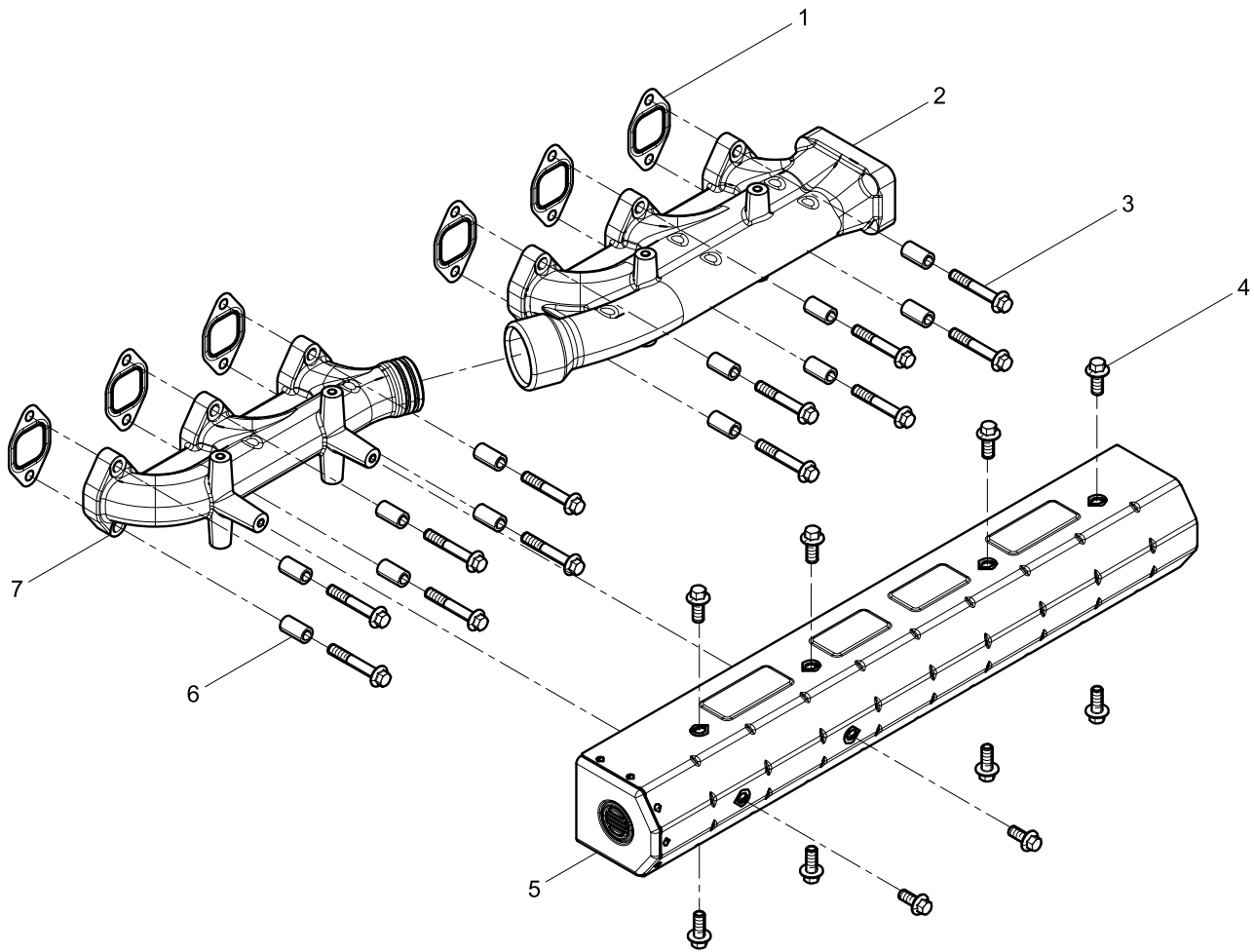


### Compressor Pipe Group



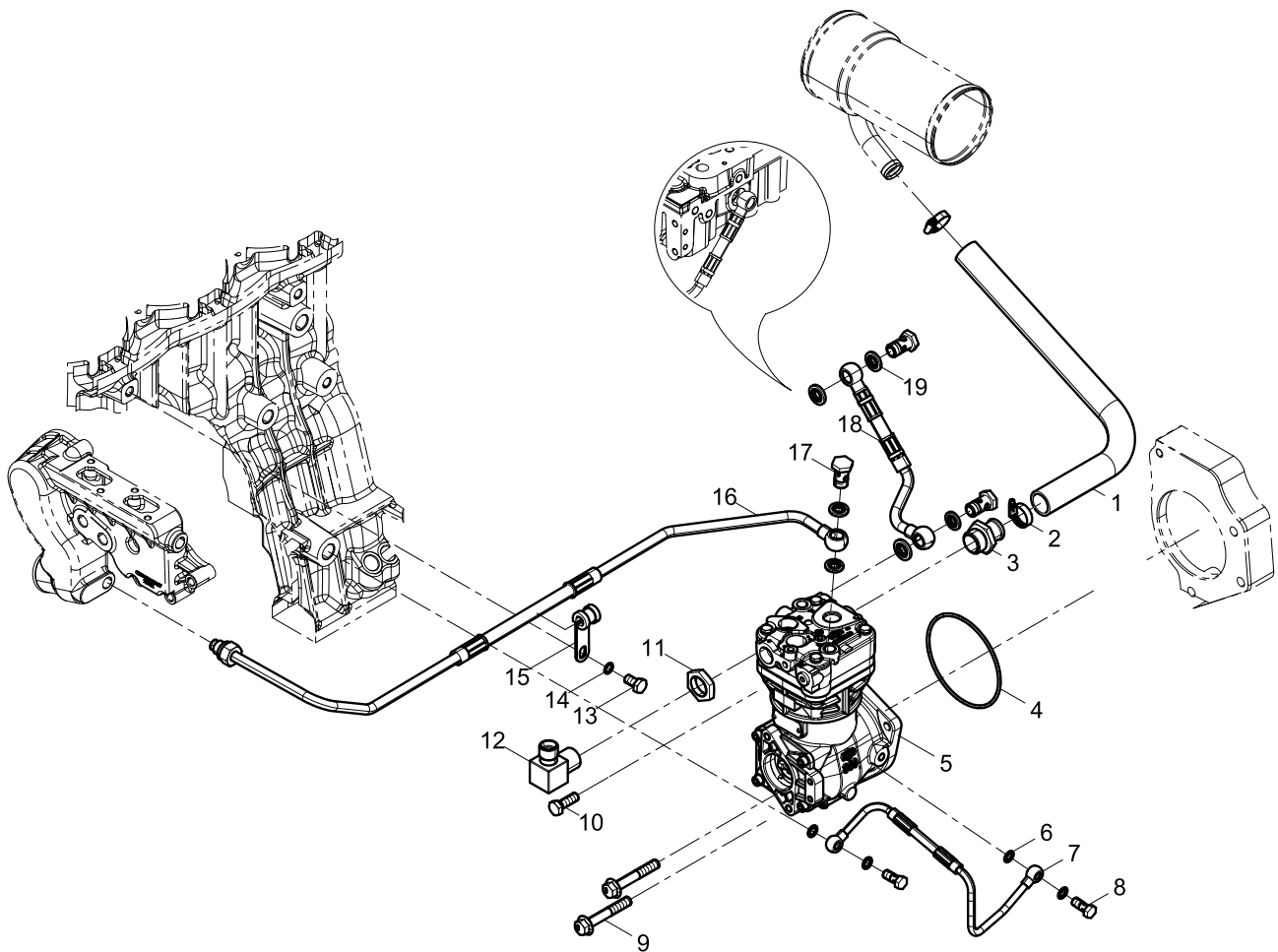


### Exhaust Manifold Group



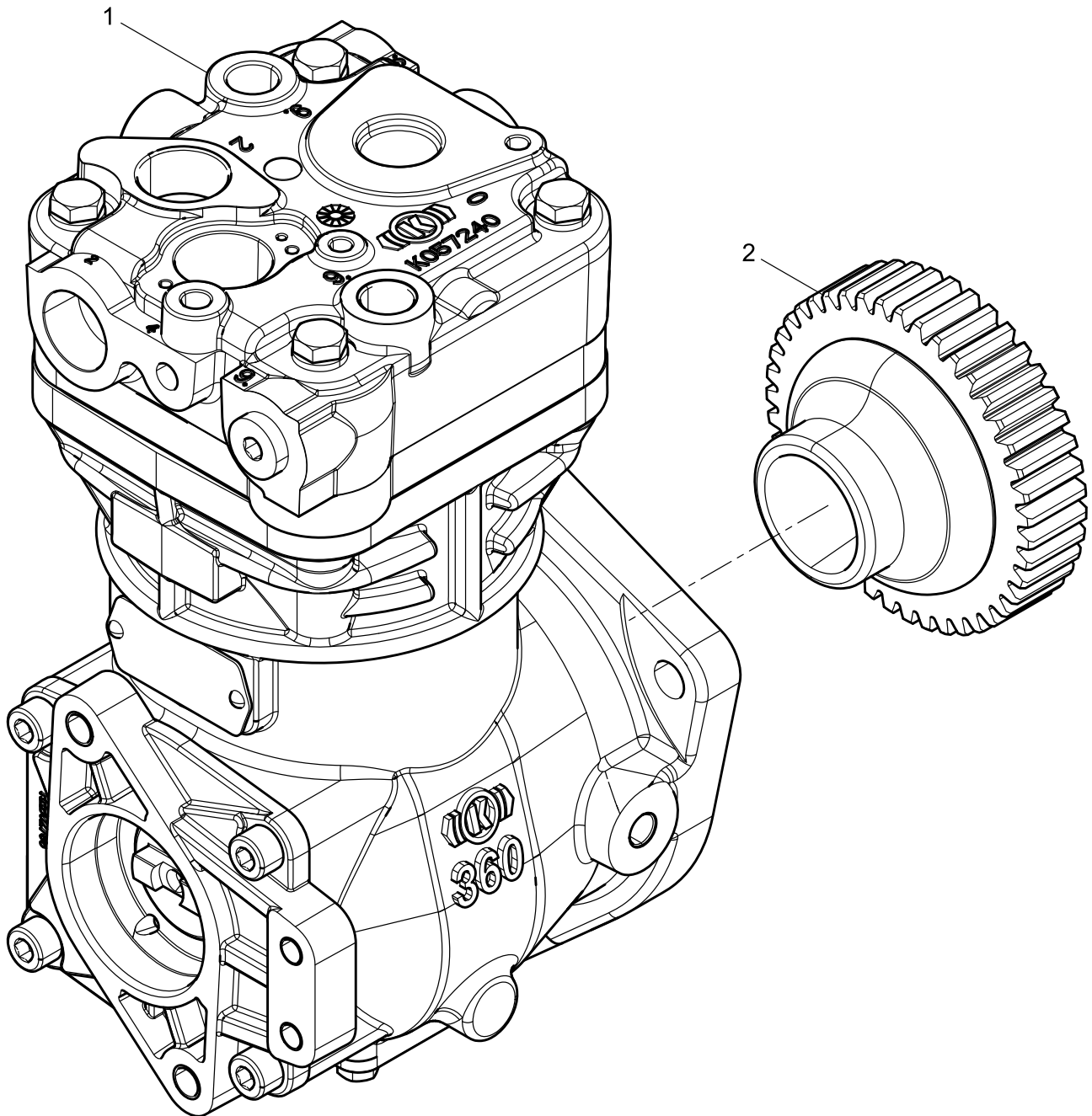


### Air Compressor Group





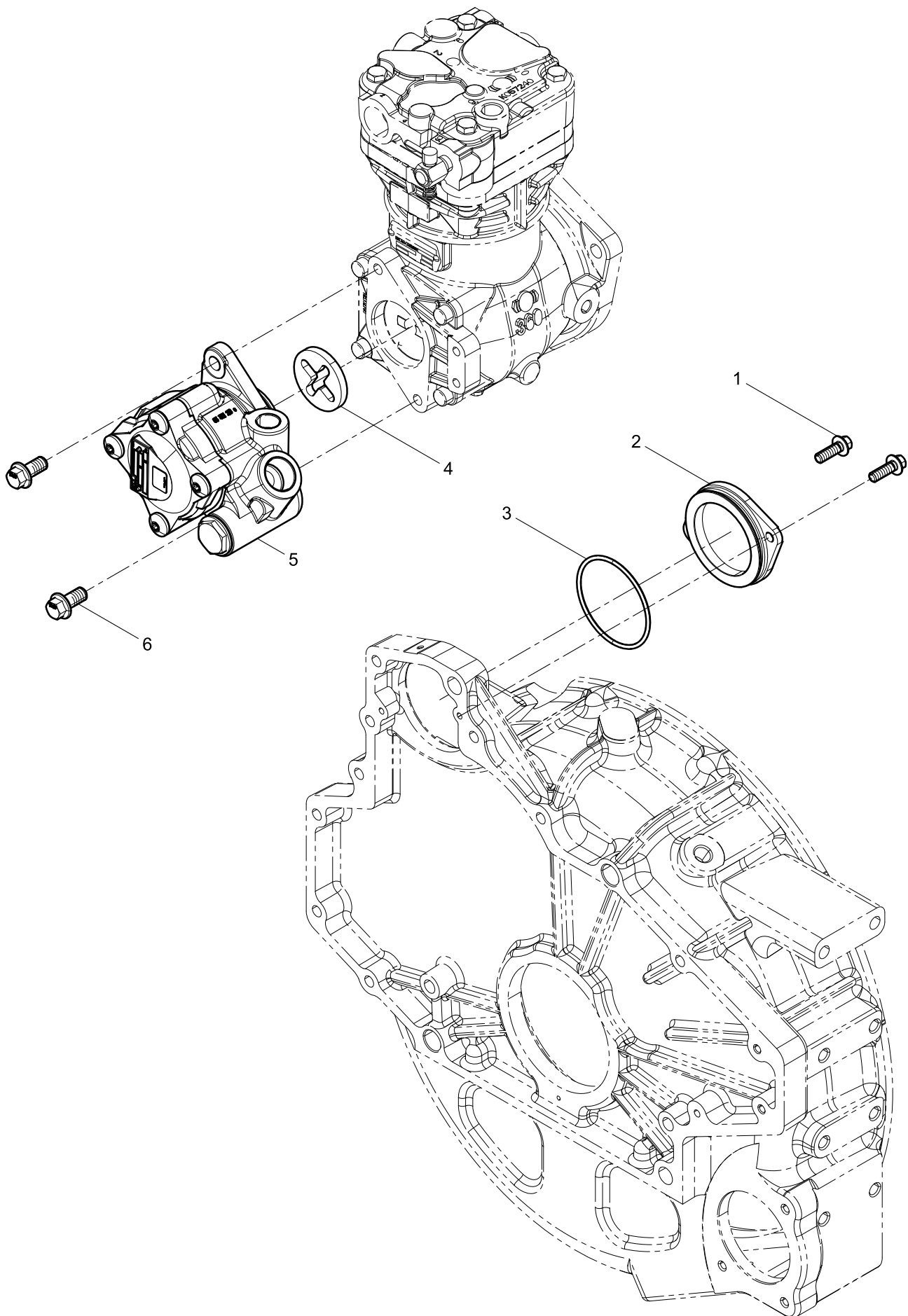
### Air Compressor Assembly





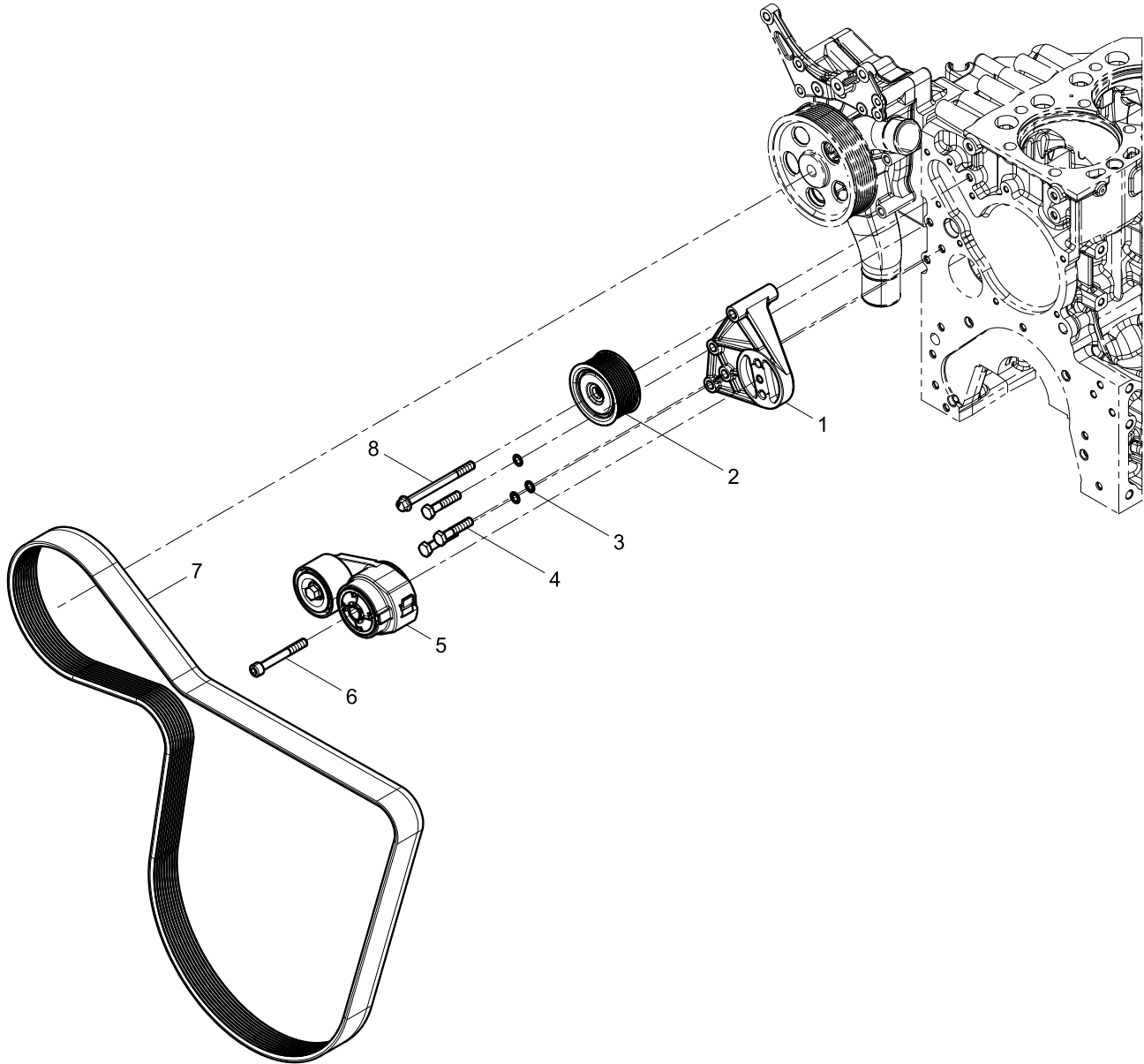


### Hydraulic Pump Group



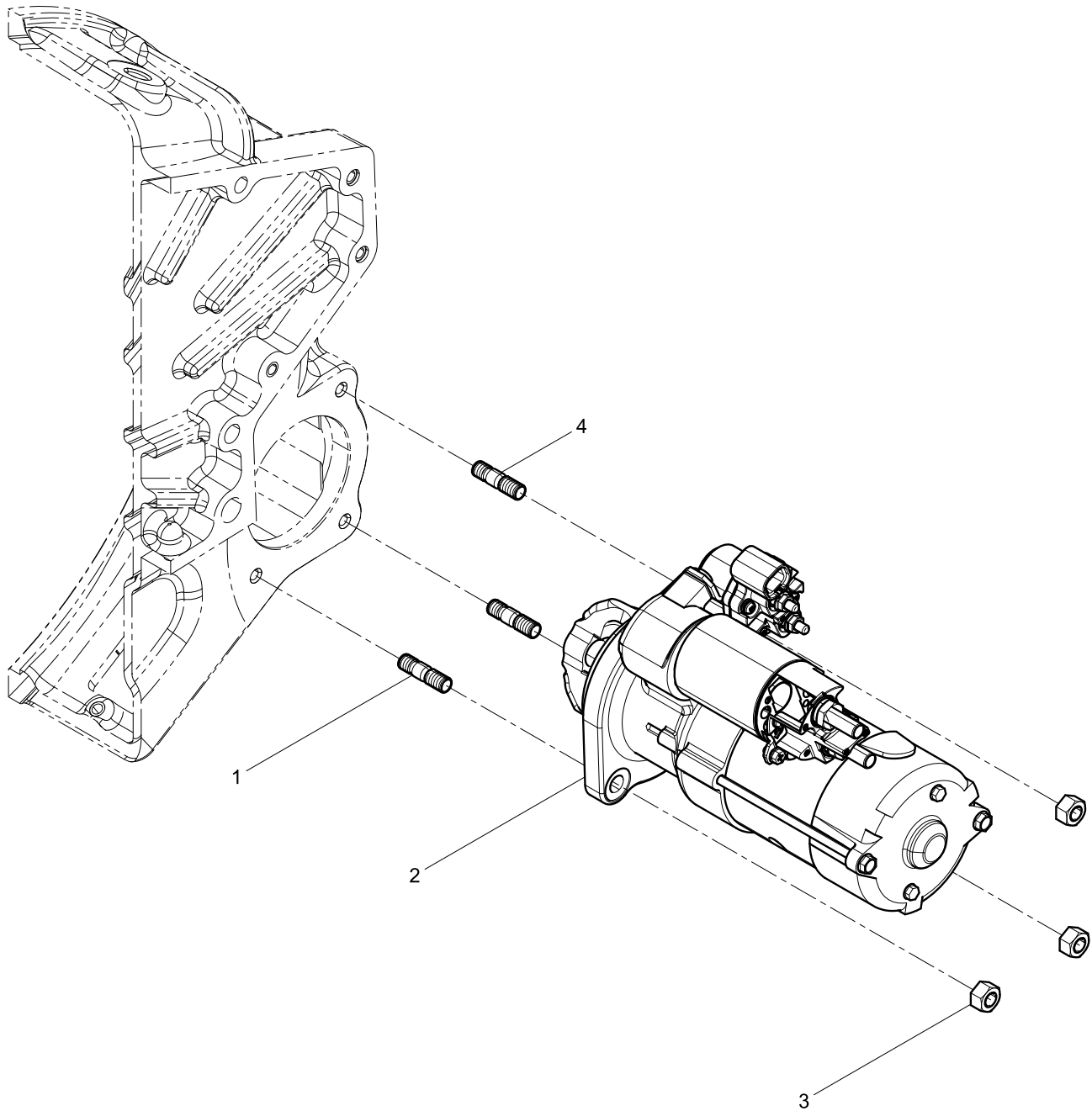


### Tensioner And Belt Group



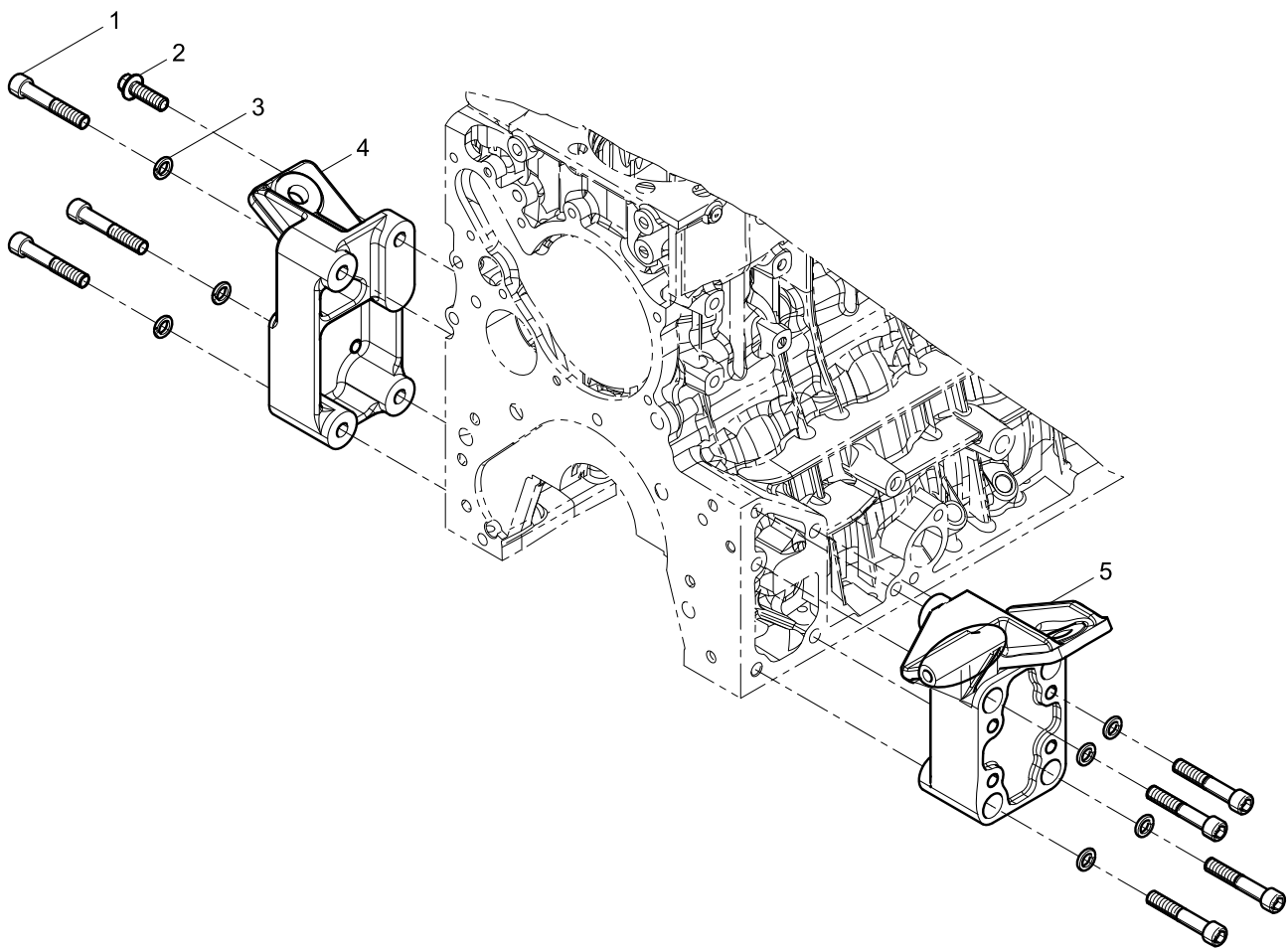


### Starter Assembly





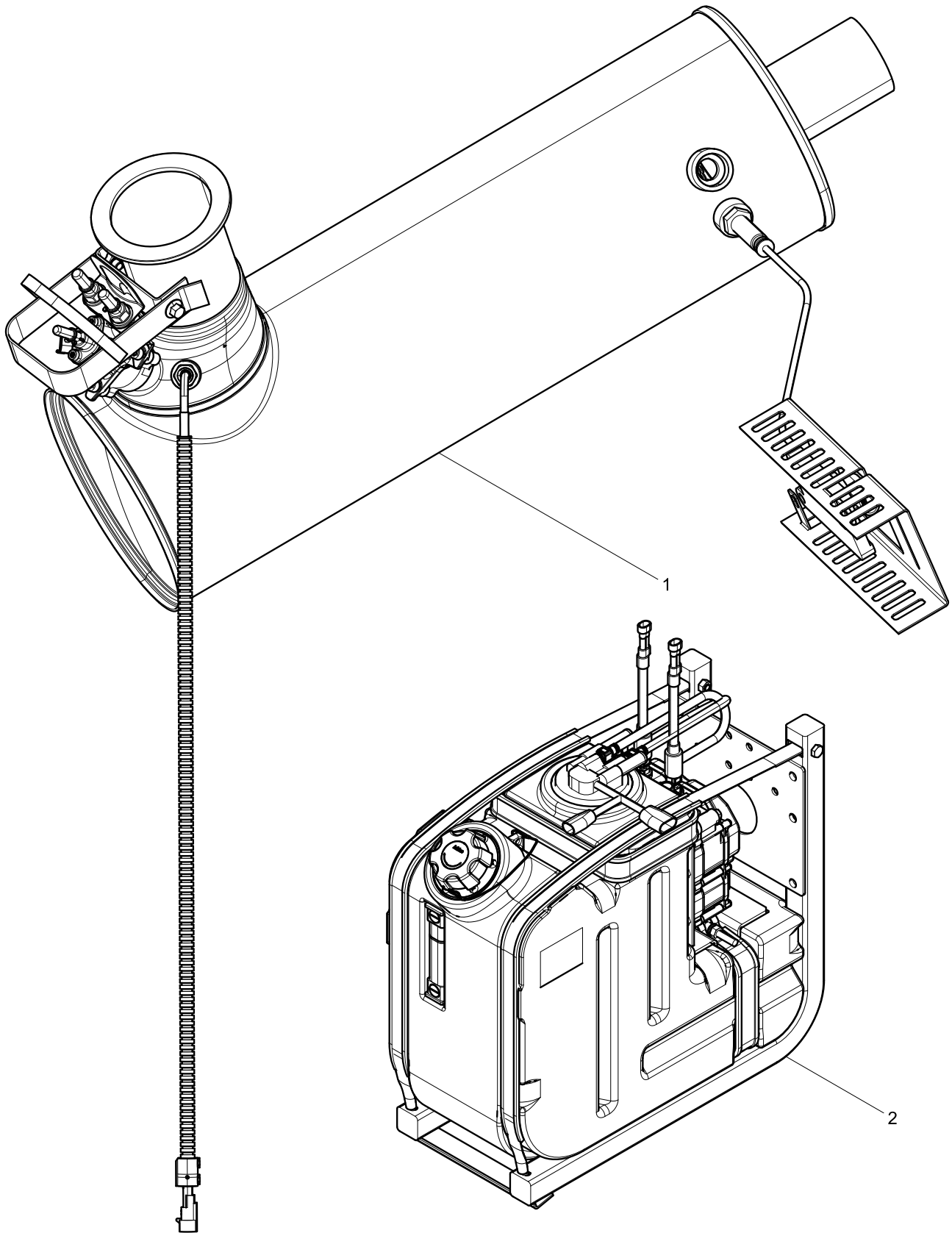
### Engine Bracket Group





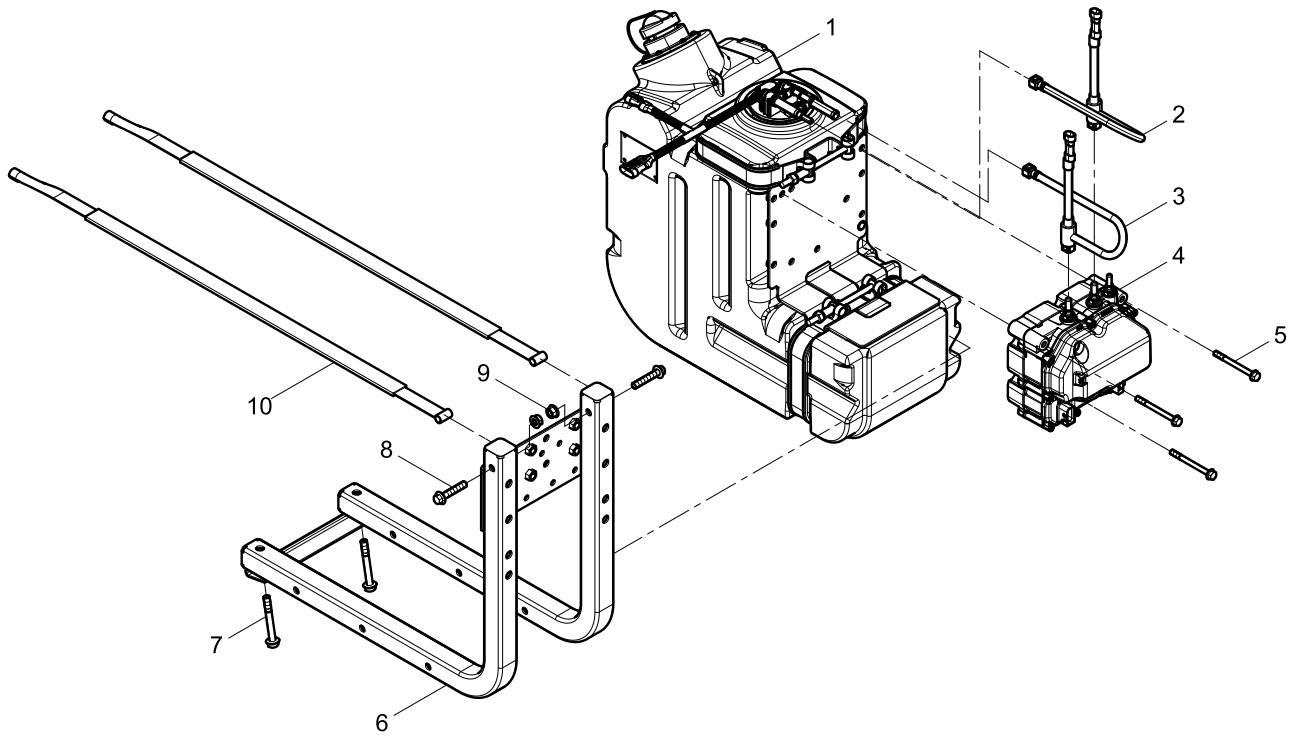


### Separate Delivery Parts Group Attached to Engine



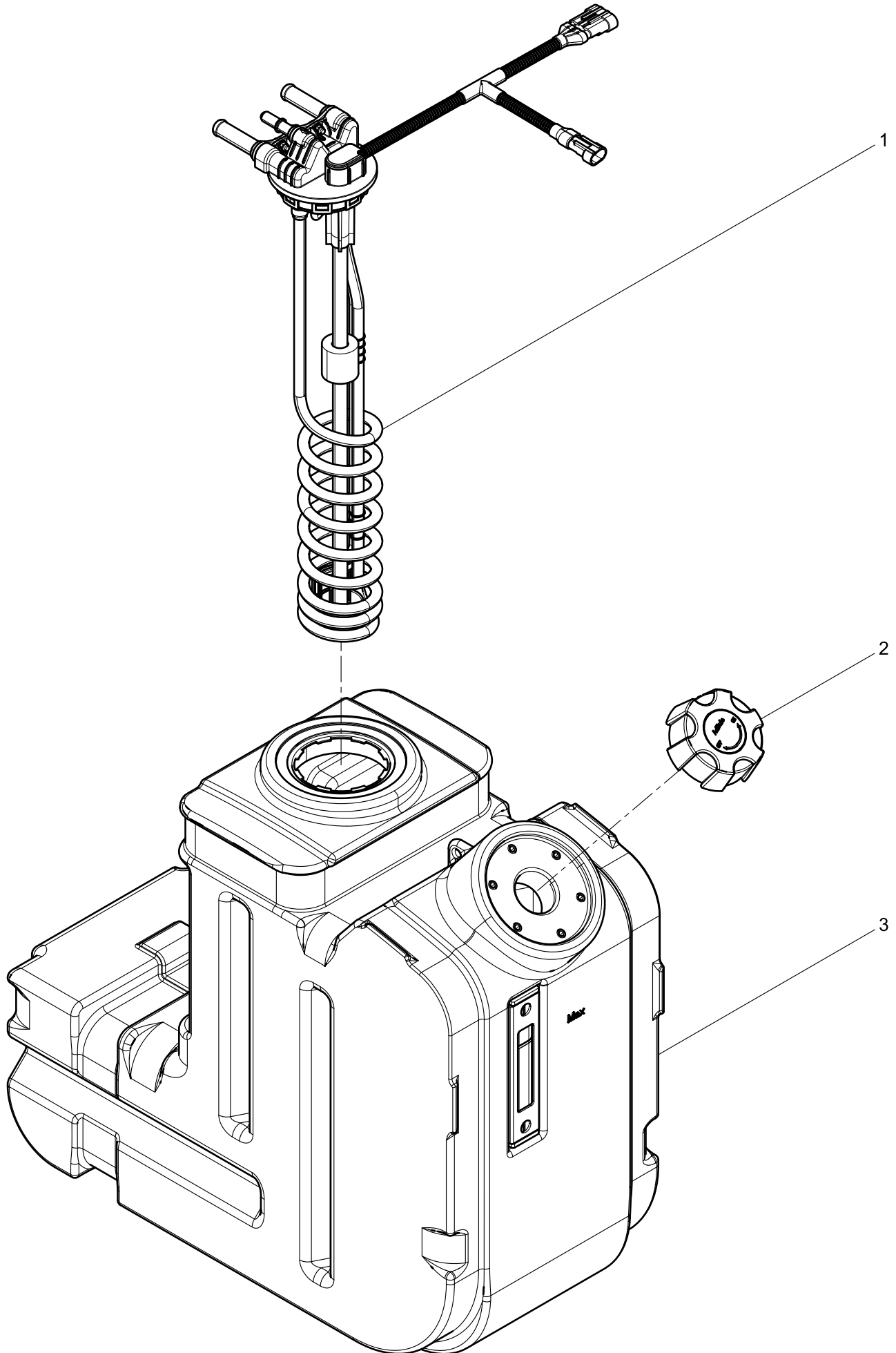


### Integrated Urea Tank Assembly



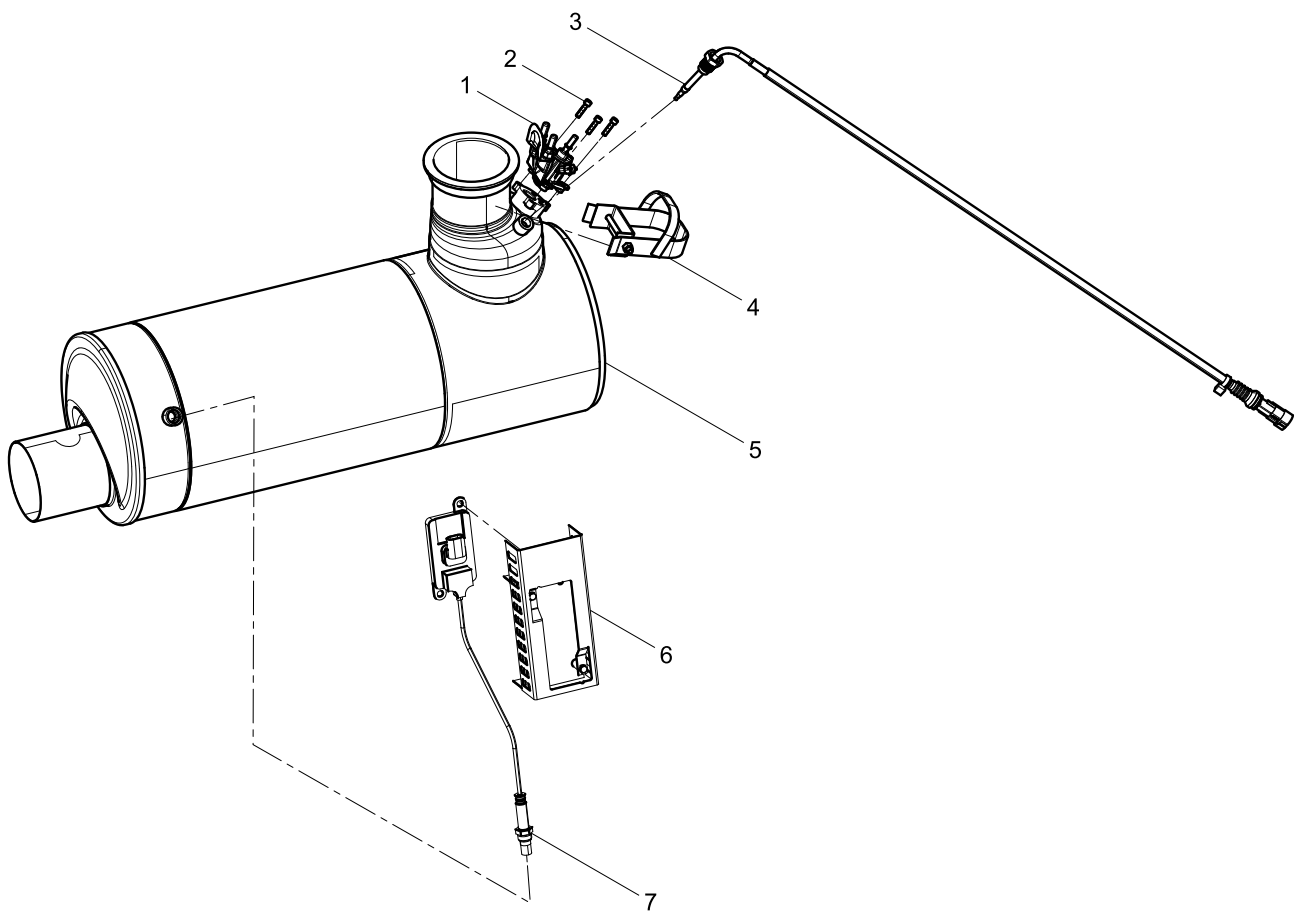


### Urea Tank Assembly





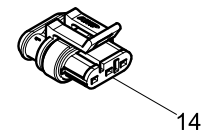
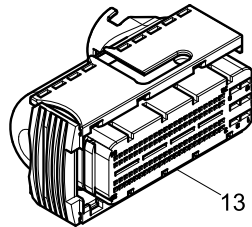
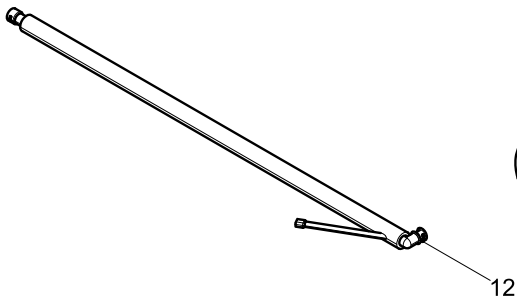
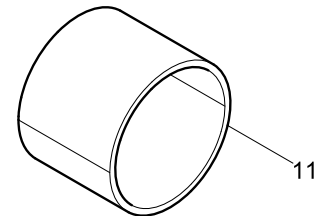
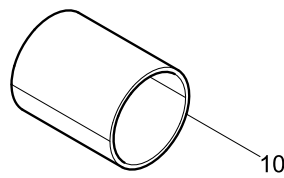
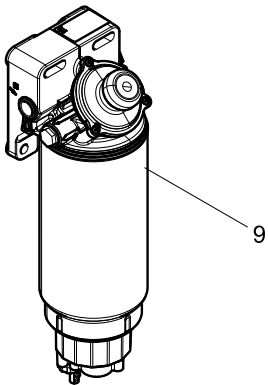
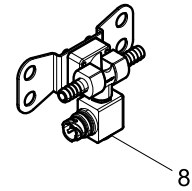
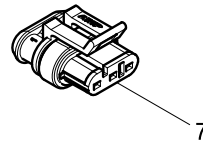
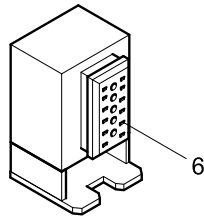
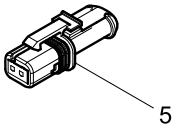
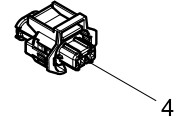
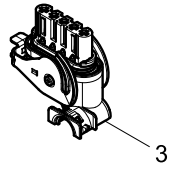
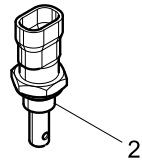
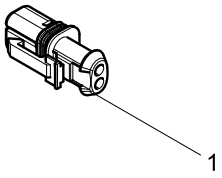
### SCR Box Assembly





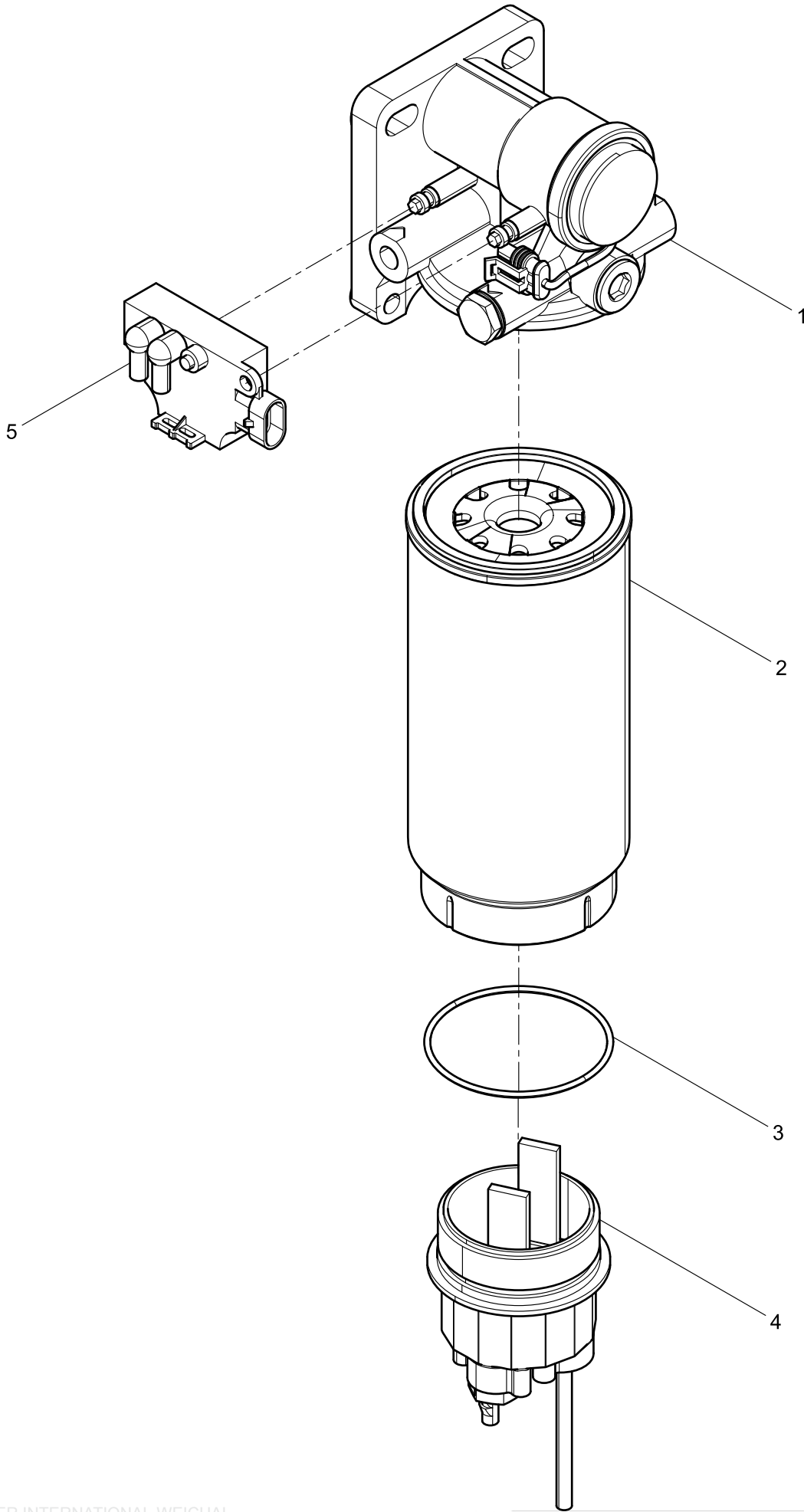


### Parts Box Group



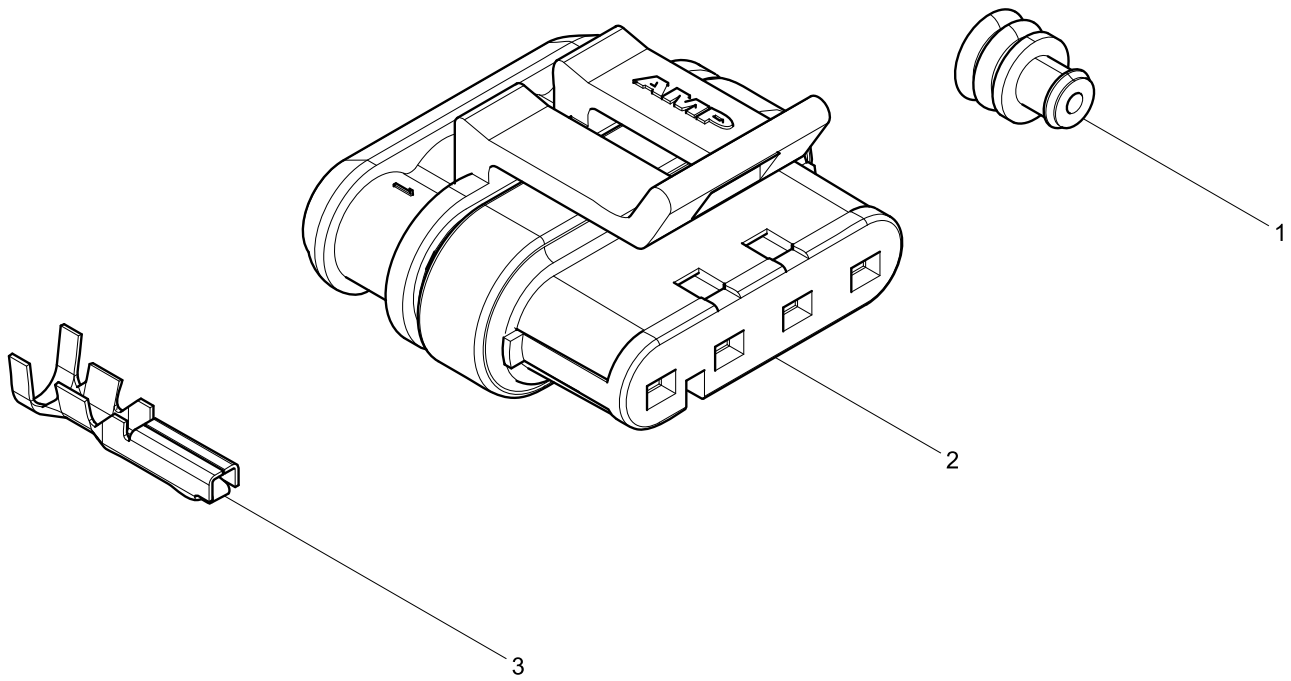


### Fuel System Protector



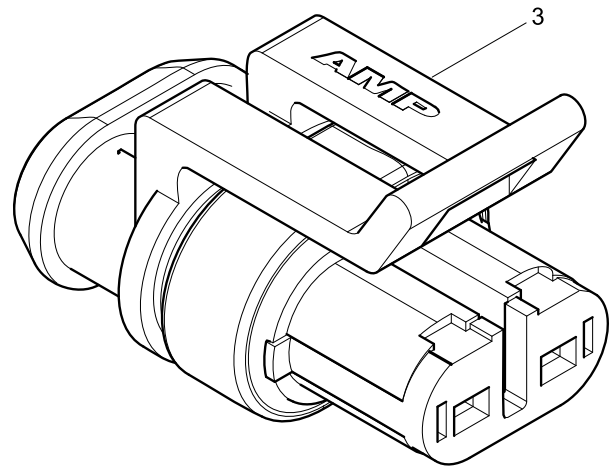
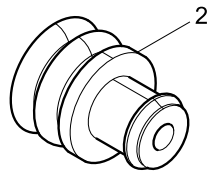
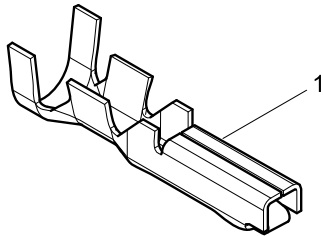


### Connector Assembly





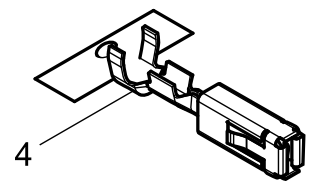
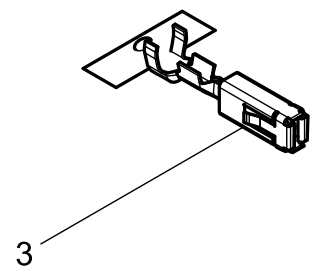
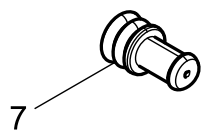
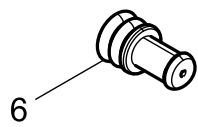
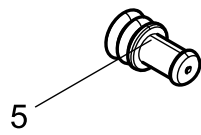
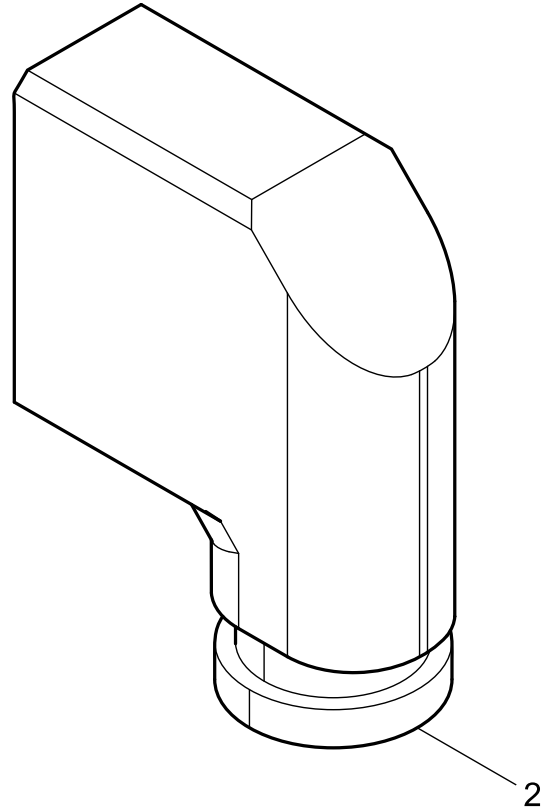
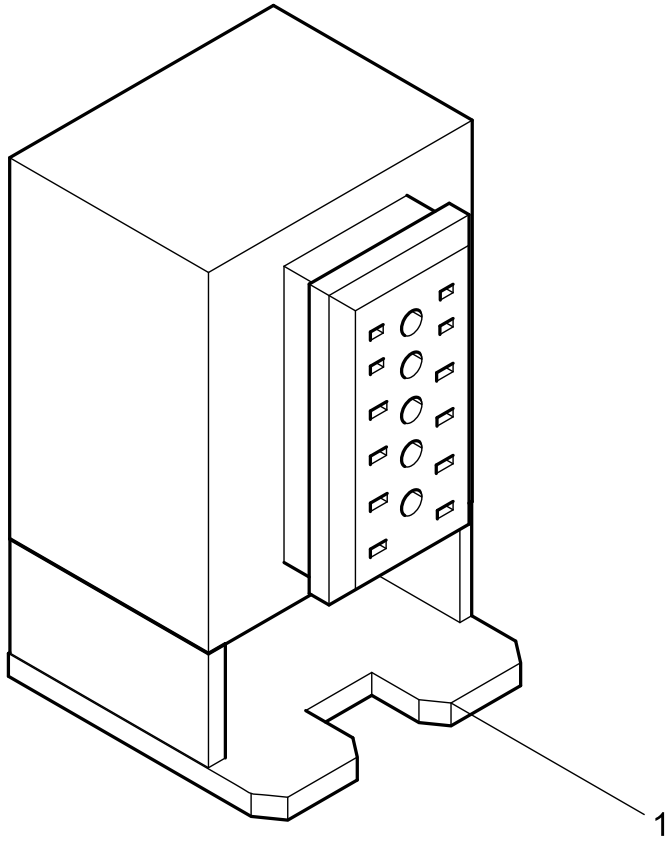
### Connector





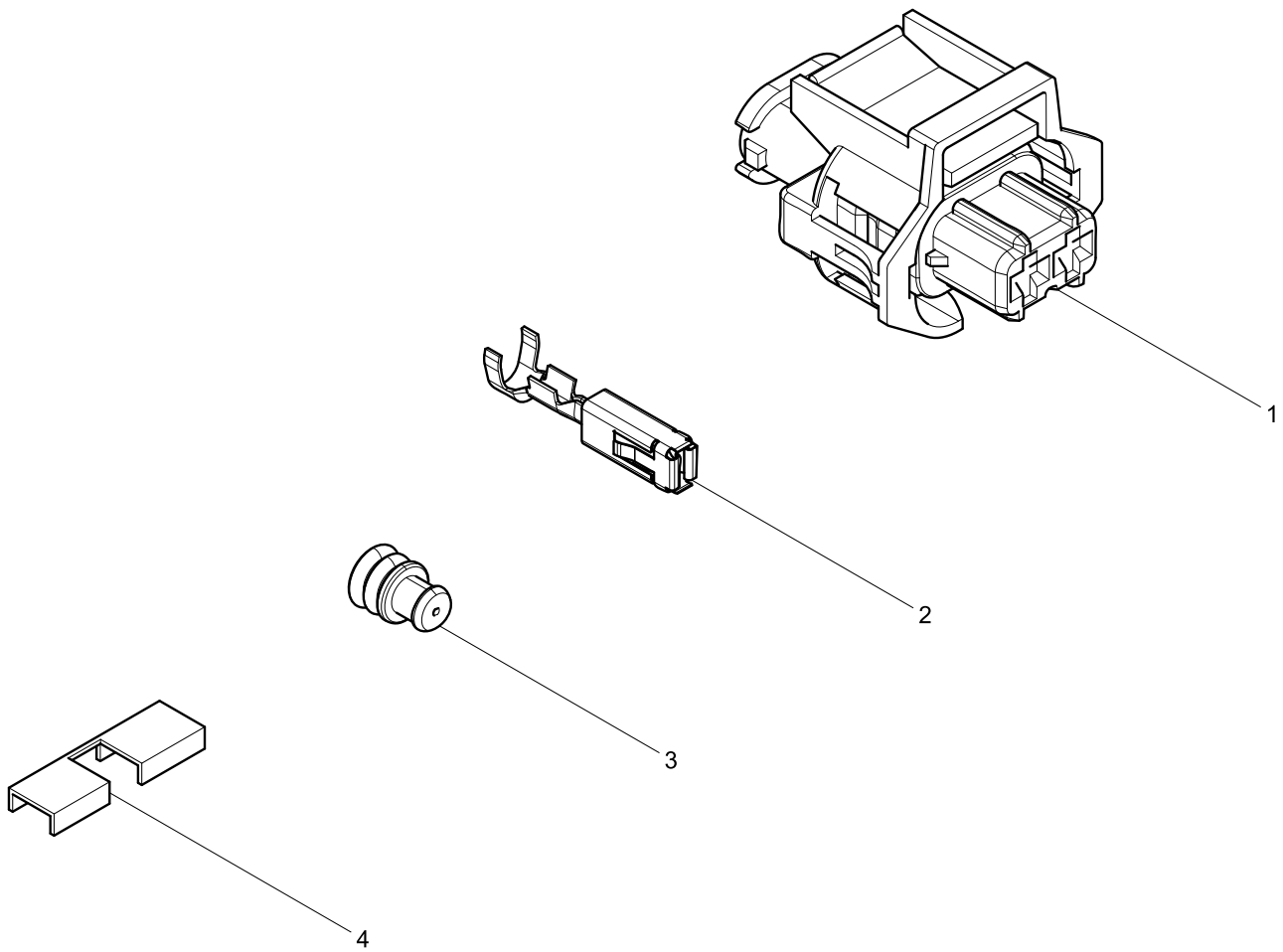


### Connector Assembly



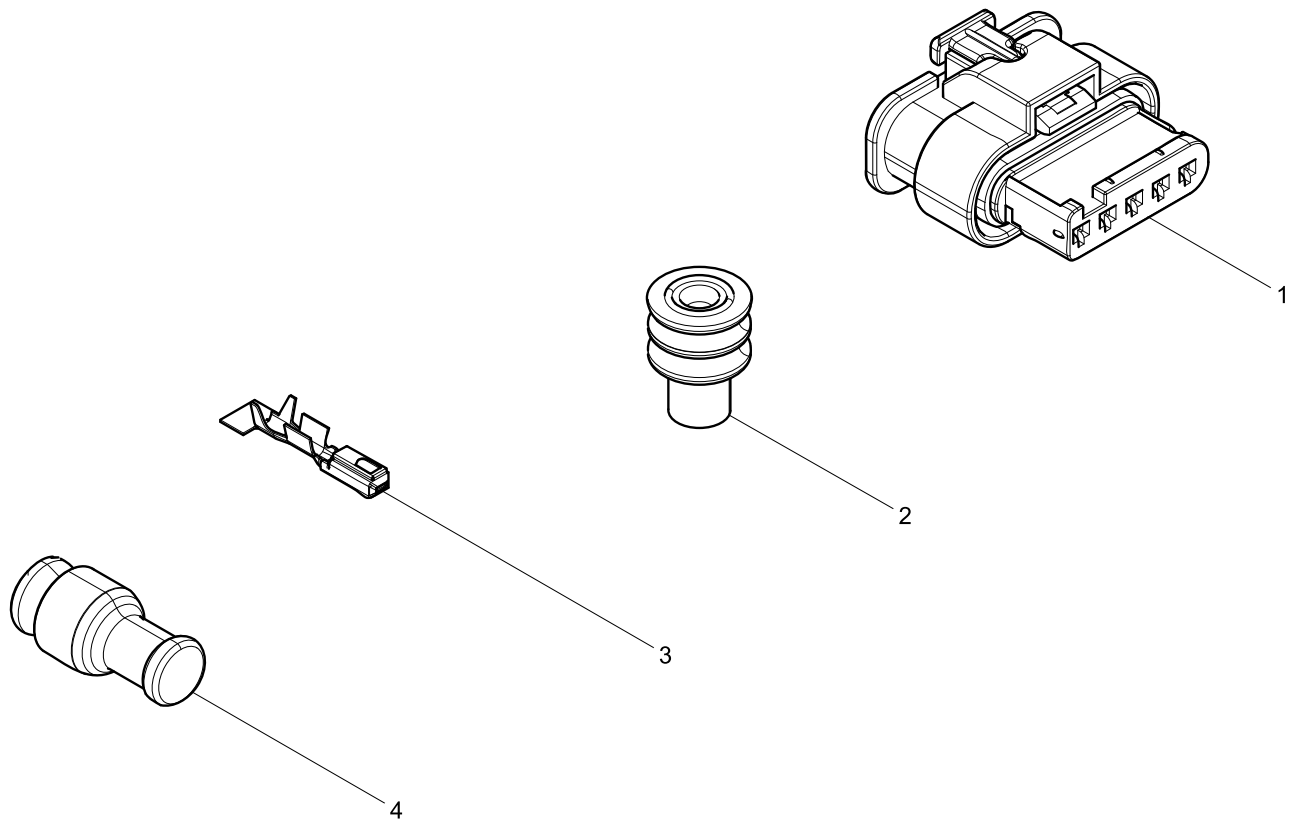


### Connector Assembly



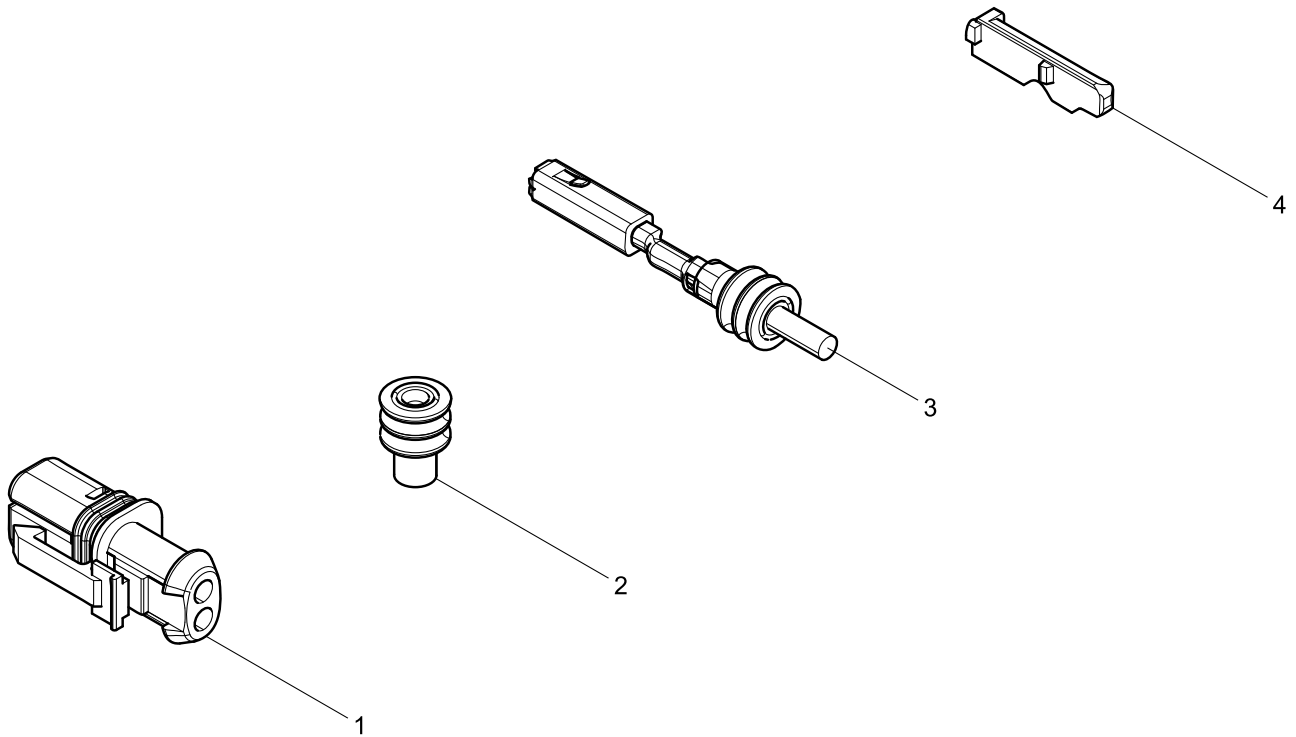


### Connector Assembly





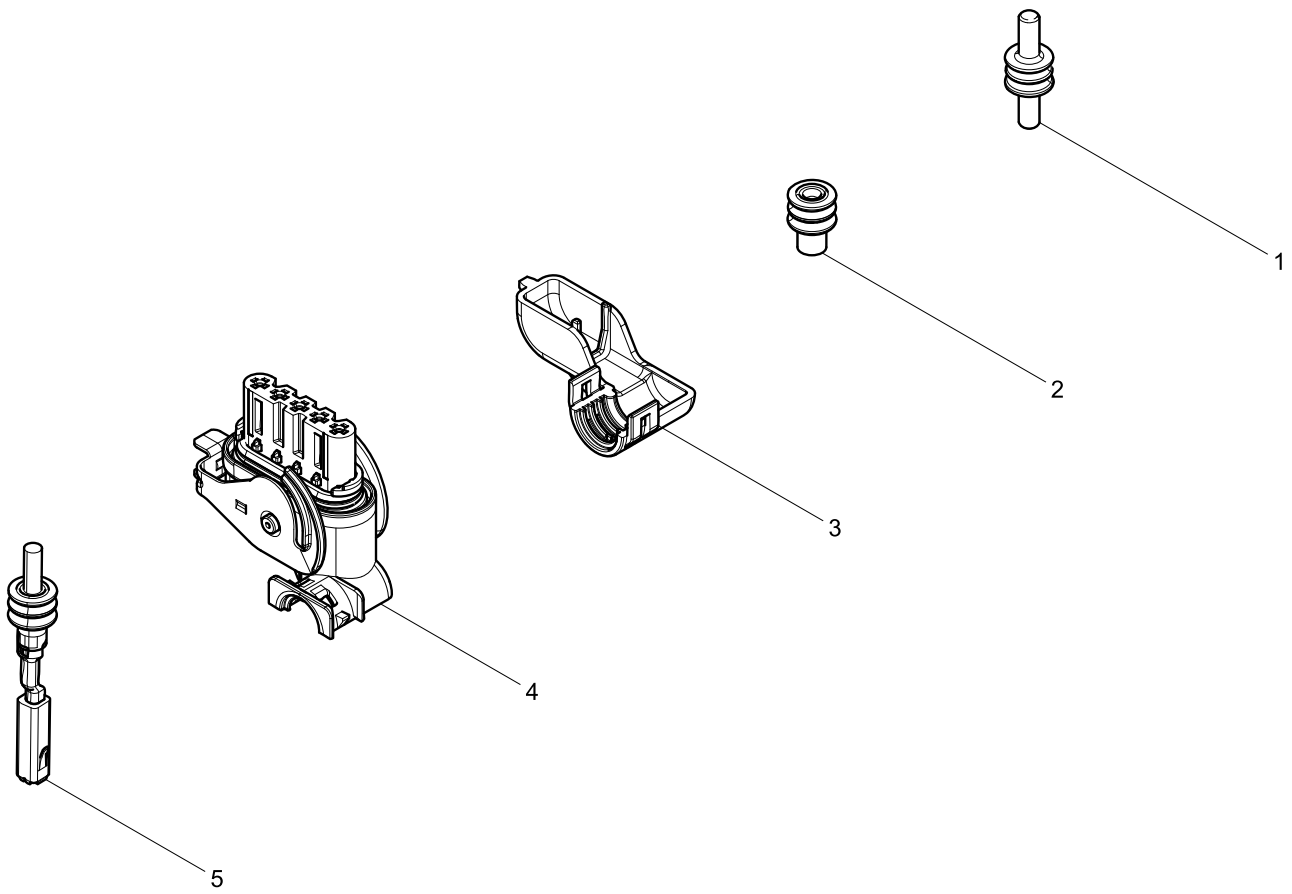
### Starting relay Conneting parts





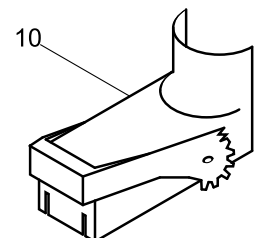
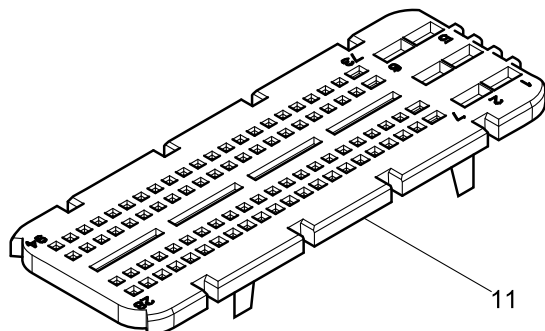
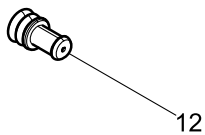
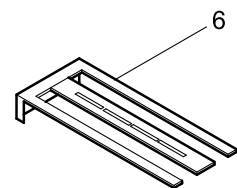
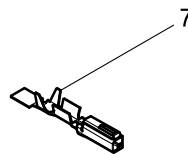
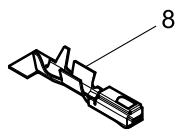
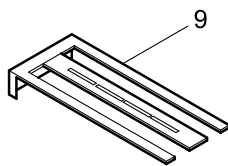
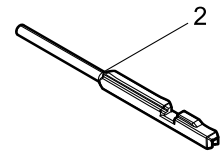
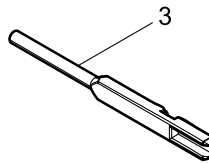
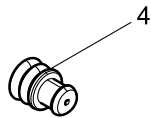
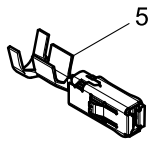
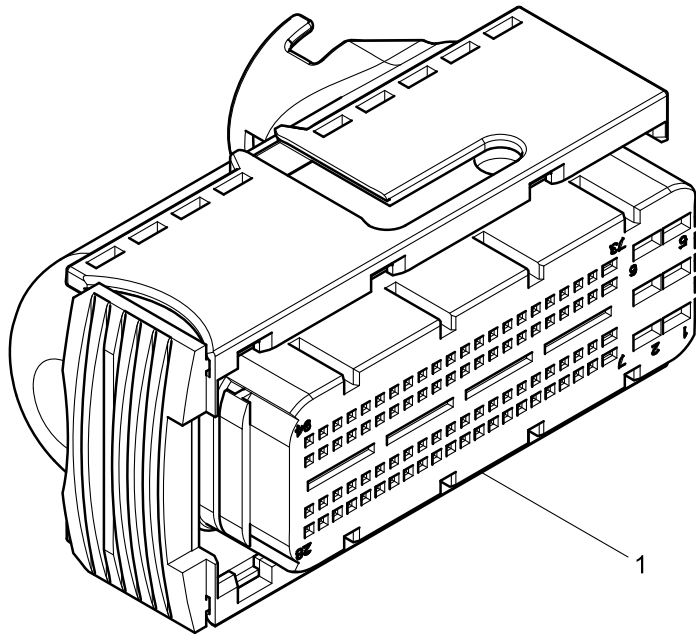


### Connector



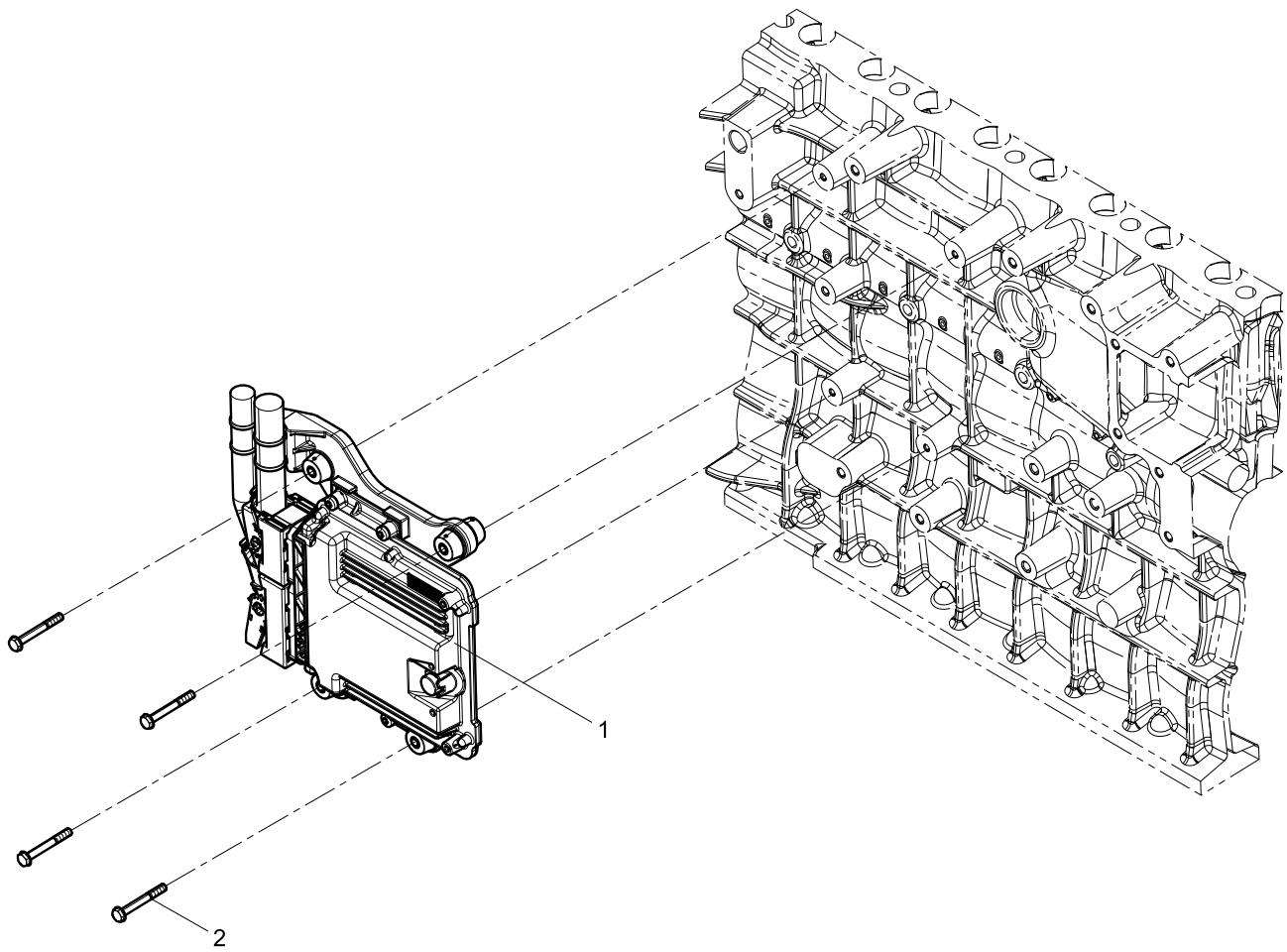


### Vehicle Connector



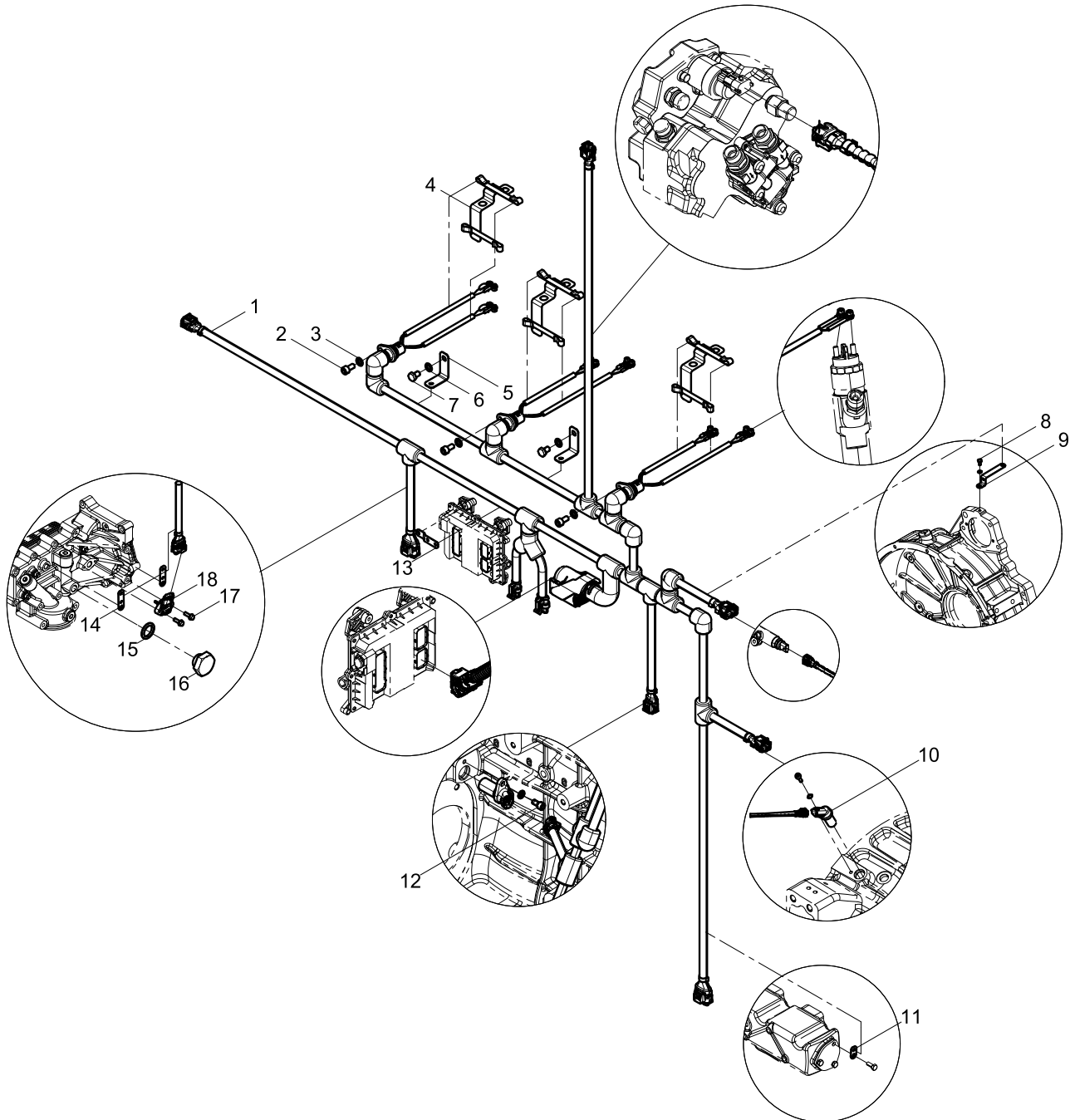


### Electronic Control Unit Group





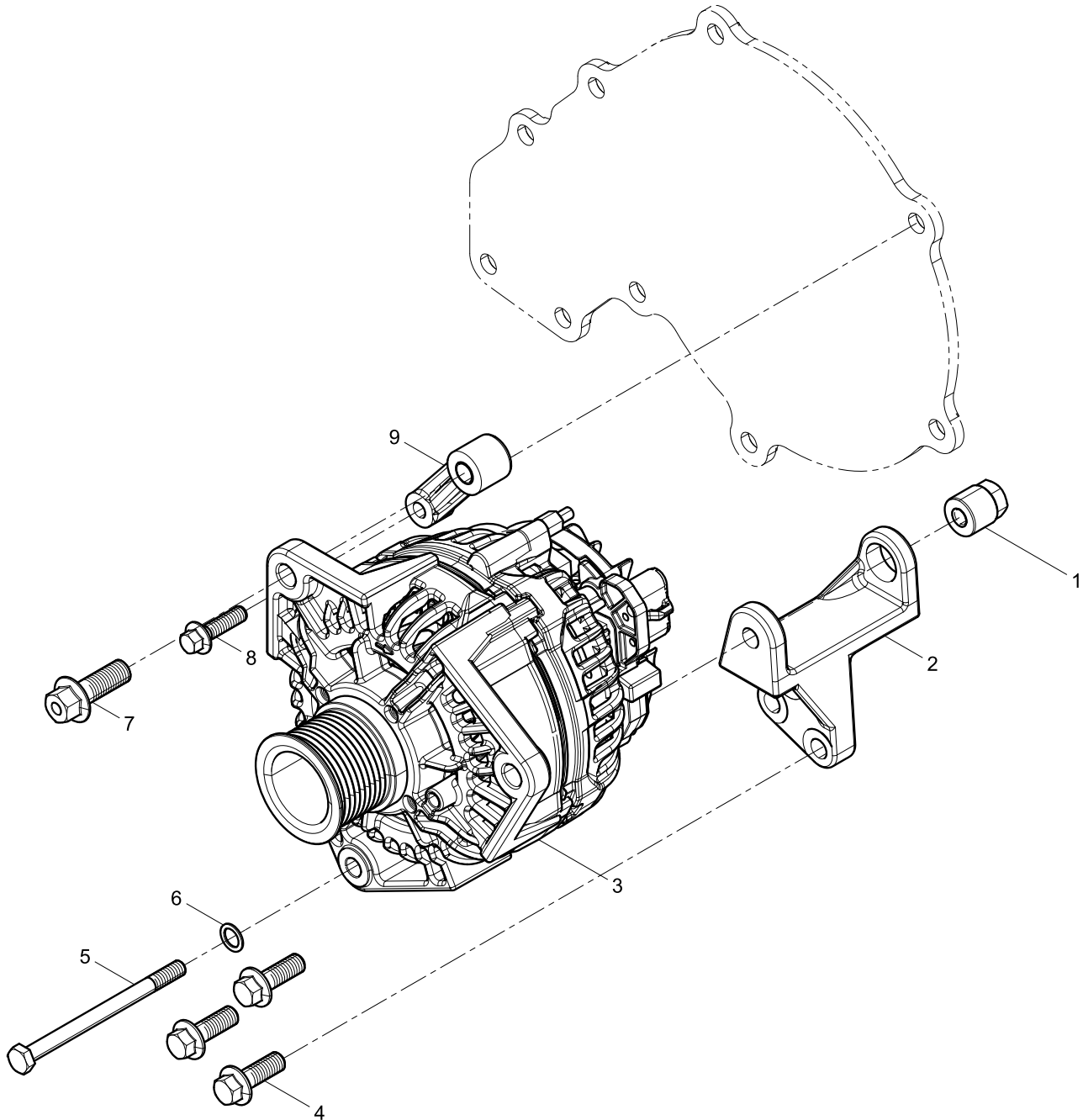
### Electronic Control System Harness Group







### Alternator Group





This manual is for reference only,  
product parameters are subject to alteration  
without notice,  
whichever is the physical product.